

Device Networking Access



Ethernet Serial Server

SE5001

RoHS compliant

- Cigarette pack size
- Rugged metal case with wall/DIN-Rail mount
- Watch Dog Timer 1.34 sec. hardware auto reset
- 15KV ESD protection for serial signals
- 10/100Mbps Fast Ethernet full duplex auto negotiation
- Support multiple link mode with TCP server/client, UDP and Virtual COM mode
- Monitor, manage and control industrial field devices remotely
- Configuration: Web Server page/Serial Console/ Telnet Console
- Monitor IP configuration for Windows
- Upgrade firmware from remote-PC via Ethernet
- Programmable with built-in C software development kit

Make Serial Devices Ready to the Network

The Industrial Serial Server SE5001 is a cost effective gateway between Ethernet (TCP/IP) and serial signal communications. It allows almost any serial device to be connected to a new or existing Ethernet network.

By encapsulating serial data and transporting it over Ethernet, SE5001 offers full-duplex, bi-directional data transmission transparent between serial port and Ethernet network.

Easy to Use

Flexible configuration options enable this unit to be setup over Ethernet by Telnet, Web browser, Serial Console, or other Windows utilities. Packed in a rugged metal housing for wall or DIN-Rail mount with 9~30VDC wide power input range, SE5001 is ideal for almost any industrial and manufacturing automation.

ATOP Virtual COM software provides existing Windows based application to access serial device by mapping to remote serial server via Ethernet.

Specially Designed for Automation Fields

In industrial and manufacturing automation fields, SE5001 is used as a field device to connect Ethernet through TCP/IP protocol directly. It is also specially designed for conjunction with PLCs, HMIs, Barcode Scanners, Data Terminals, Electronic Kanbans, Shop Floor Control Systems, and Pick-to-Light Systems.

Industrial Serial Server

Specifications	
CPU	16-bit Embedded CPU
Flash Memory	512 KBytes
SDRAM	512 KBytes
EEPROM	512 Bytes
Network Interface	10/100Mbps Fast Ethernet
Network Protocol	TCP/IP, UDP, HTTP, SNMP, ARP, Telnet, ICMP, BOOTP, DHCP, SMTP <i>(Note)</i>
Reset	Built-in default key to restore the defaults
Watch Dog Timer	1.34 seconds hardware auto reset Internal power failure threshold:4.75V
Serial Interface	RS-232 or RS-485/RS-422
Serial Connector	DB9 male
Serial Communication	Data Rate: 1200 bps~230 Kbps Characters: 7 or 8 data bits Parity: None, Even, Odd, Mark, Space Stop Bits: 1 or 2 Flow Control: Xon/Xoff, RTS/CTS
LED Indicator	LAN, RUN and COM
Power Requirement	9~30VDC, 200mA@12V / 5VDC 350mA@5V selectable
Temperature	Operation: 0°C~ 60°C, Storage : -20°C~70°C
Humidity	20%~90% non-condensing
Dimension	65mm x 78mm x 28mm (W x H x D)
Software	Windows OS based Configuration Utility, Virtual COM software
Configuration	Web (HTML), Telnet and Windows based Configuration Utility

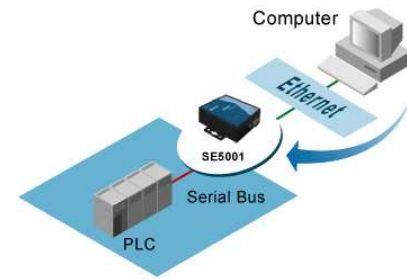
Ordering Information (by Model)	
SE5001-S2	Single RS-232 port serial server without adapter
SE5001-S5	Single RS-485/RS-422 port serial server without adapter
Optional Accessories	
DK-25	DIN-Rail Kit
AD15~24DC (US)	Power adapter (US), AC100~240V/DC 24V 0.6A with Terminal block
AD15~24DC (EU)	Power adapter (EU), AC100~240V/DC 24V 0.6A with Terminal block

****Note: SMTP Protocol will be ready in April 2006**

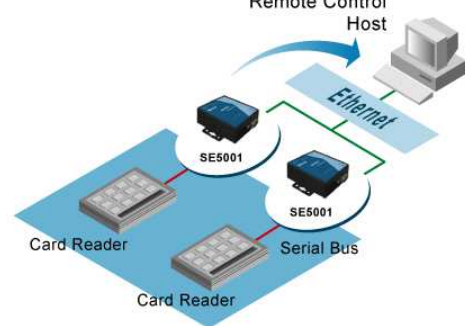


SE5001 DIN-Rail Mounting

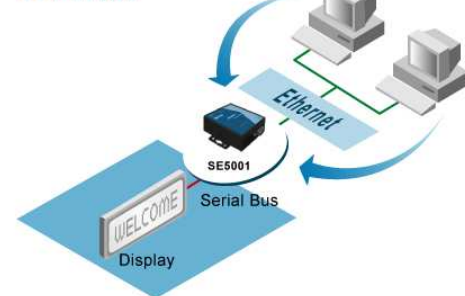
TCP Server Mode



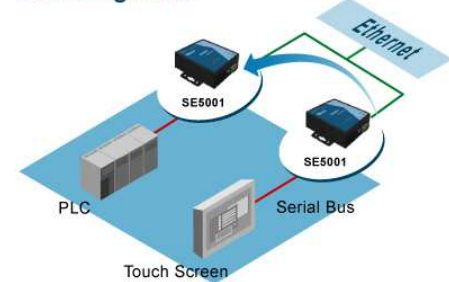
TCP Client mode



UDP mode



Tunneling mode



Atop Technologies, Inc.
TEL : +886-3-5508137
FAX : +886-3-5508131
sales@atop.com.tw
http : //www.atop.com.tw

Delmation Products BV
website: www.delmation.nl
Tel: +31 (0)79-3422041
Fax: +31 (0)79-3424481

Design and specification are subject to change without notice.
All other product names referenced herein are registered trademarks of their respective companies.



CASE5001_E : v1-050214