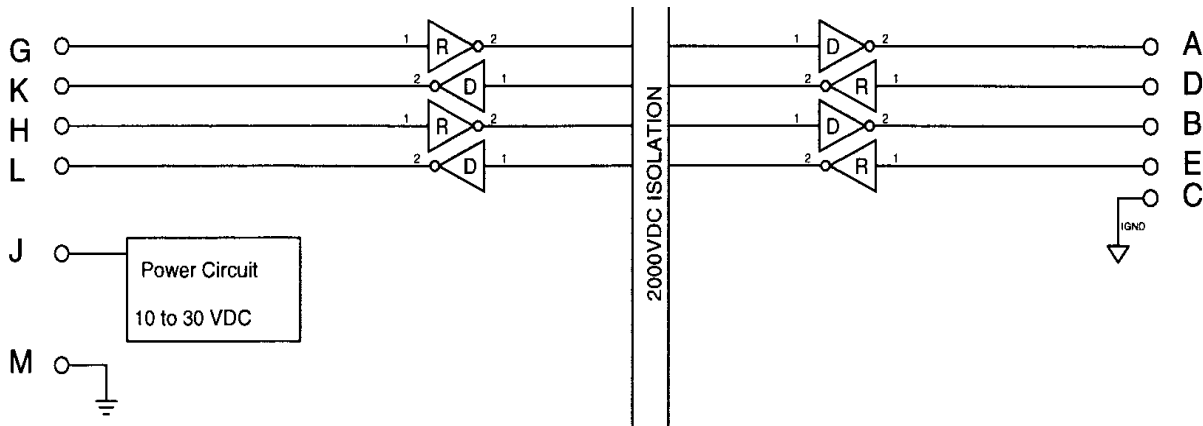
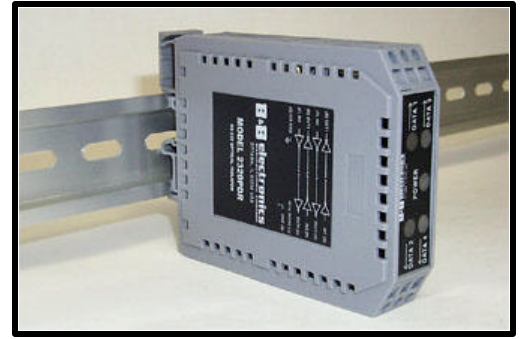


DIN Rail Mountable RS-232 Isolator **CE** Model 232OPDR

The 232OPDR is a DIN rail mountable RS-232 optical isolator. It isolates four RS-232 lines at 2KV, two lines in each direction. The signals can be data or handshakes. There are four LEDs to show data traffic and one LED for power. The connections are made through terminal blocks on each side. The 232OPDR requires a single 10 to 30 VDC power supply.



The 232OPDR is ideal for the industrial environment. The 2000 volt isolation allows the isolator to protect your computer from ground loops and induced currents caused by lightning, heavy equipment turning on and off, or the serial cable running close to high power lines. The isolation also helps eliminate ground loops caused by different potentials on the grounds.

The 232OPDR can also be used as a repeater to extend the RS-232 signal beyond 50 feet. The signal lines can handle either two data lines in each direction, or one data line and one handshake line in each direction.

Specifications:

Dimensions: 3.9" x 2.9" x 1.0" (9.9 x 7.4 x 2.5 cm)
 Temperature Range: -20°C to 80°C
 Supply Voltage: +10 to 30VDC @ 100mA
 Data Rates: Up to 115.2K bps
 Connectors: Screw down terminal blocks
 Isolation: 2000 VDC isolation for 1 minute

	INPUT	OUTPUT
Channel 1	G	A
Channel 2	D	K
Channel 3	H	B
Channel 4	E	L

DECLARATION OF CONFORMITY

Manufacturer's Name: B&B Electronics Manufacturing Company
 Manufacturer's Address: P.O. Box 1040
 707 Dayton Road
 Ottawa, IL 61350 USA

Model Numbers: 232OPDR
 Description: DIN Rail Mount RS-232 Isolator
 Type: Light industrial ITE equipment
 Application of Council Directive: 89/336/EEC
 Standards: EN 50082-1 (IEC 801-3, IEC 801-4)
 EN 50081-1 (EN 55022)
 EN 61000 (-4-2, -4-3, -4-4, -4-5, -4-6, -4-8, -4-11)
 ENV 50204

MJ Fahrion
 Michael J. Fahrion, Director of Engineering

CE

© B&B Electronics – Revised November 2000

This product designed and manufactured in USA of domestic and imported parts by

B & B Electronics Mfg. Co.
 707 Dayton Road - P.O. Box 1040 - Ottawa, IL 61350 USA
 Phone: (815) 433-5100 - Fax: (815) 433-5105
 Home Page: www.bb-elec.com
 Sales e-mail: orders@bb-elec.com - Fax: (815) 433-5109
 Technical Support e-mail: support@bb-elec.com - Fax: (815) 433-5104

B & B Electronics Ltd
 Westlink Commercial Park - Oranmore, Co. Galway - Ireland
 Phone: +353 91 792444 - Fax: +353 91 792445
 Home Page: www.bb-europe.com
 Sales e-mail: orders@bb-europe.com
 Technical Support e-mail: support@bb-europe.com