



**Model: ANYWHEREUSB5**

## **AnywhereUSB®**

**USB Over IP®**

### **Overview**

AnywhereUSB is the first remote networking solution to utilize USB over IP technology, making it easy to connect USB devices anywhere on a wired or wireless LAN, while eliminating the need for locally-attached host PCs. This Ethernet-attached solution provides five USB ports, which deliver the same Plug-and-Play user experience as onboard USB ports. AnywhereUSB software drivers are loaded onto a host PC or server, enabling remote devices to communicate with the host, without changing existing application software. Peripheral devices can be centrally managed and monitored from a remote server or PC via an IP address.

For retailers, relocating the host PC to a back office or other remote location translates to smaller point-of-sale stations, centralized management, reduced IT support and instant system redundancy. Kiosk, ATM or pay-at-the-pump manufacturers can eliminate the PC inside the enclosure, reducing concerns of extreme changes in temperature or humidity. AnywhereUSB is also an ideal solution for restaurant kitchens, access control systems, industrial automation or any environment that is volatile, not secure or where having an onsite PC is not practical.

AnywhereUSB is compatible with bulk or interrupt type USB devices such as bar-code scanners, printers, fingerprint scanners, mice, pole displays, card readers and more. Our Watchport™/V USB Camera, Watchport Sensors and Edgeport® USB-to-Serial Converters are also fully compatible with AnywhereUSB.

### **Features**

- RJ-45 Ethernet to five USB ports
- Remote configuration utility
- Field-upgradeable software and firmware
- One static (fixed) IP address per unit
- 10/100Base-T Ethernet support
- LEDs for system and device status
- RJ-45 crossover cable
- Data rates up to 12Mbps per USB port
- 500mA downstream power per device
- USB 1.0, 1.1, 2.0 compatible (USB 2.0 devices operate at 12Mbps)
- Up to eight units supported per server
- Two Open Host Controller Interface (OHCI) controllers

### **Operating System**

- Microsoft® Windows XP, XP Embedded
- Microsoft® Windows NT, NT Embedded
- Microsoft® Windows 2000

### **Environmental**

- Ambient temperature: 32° to 140° F (0° to 60° C)
- Relative humidity: 0% to 95% (non-condensing)

### **Network and Device Recommendations**

- 100Mb switched Ethernet per AnywhereUSB
- Network utilization below 50%
- Compatible with bulk or interrupt type USB devices; isochronous devices not supported

### **Regulatory Approvals**

- FCC Part 15, Class B
- CE
- EN55022
- EN55024
- EN60950
- UL 1950
- CSA 2.2 No. 950
- IEC-950

International Headquarters:

**B & B Electronics Mfg. Co.** 707 Dayton Road P.O. Box 1040 Ottawa, IL 61350 USA

Delmation Products BV

Tel: +31 (0)79 342 2041

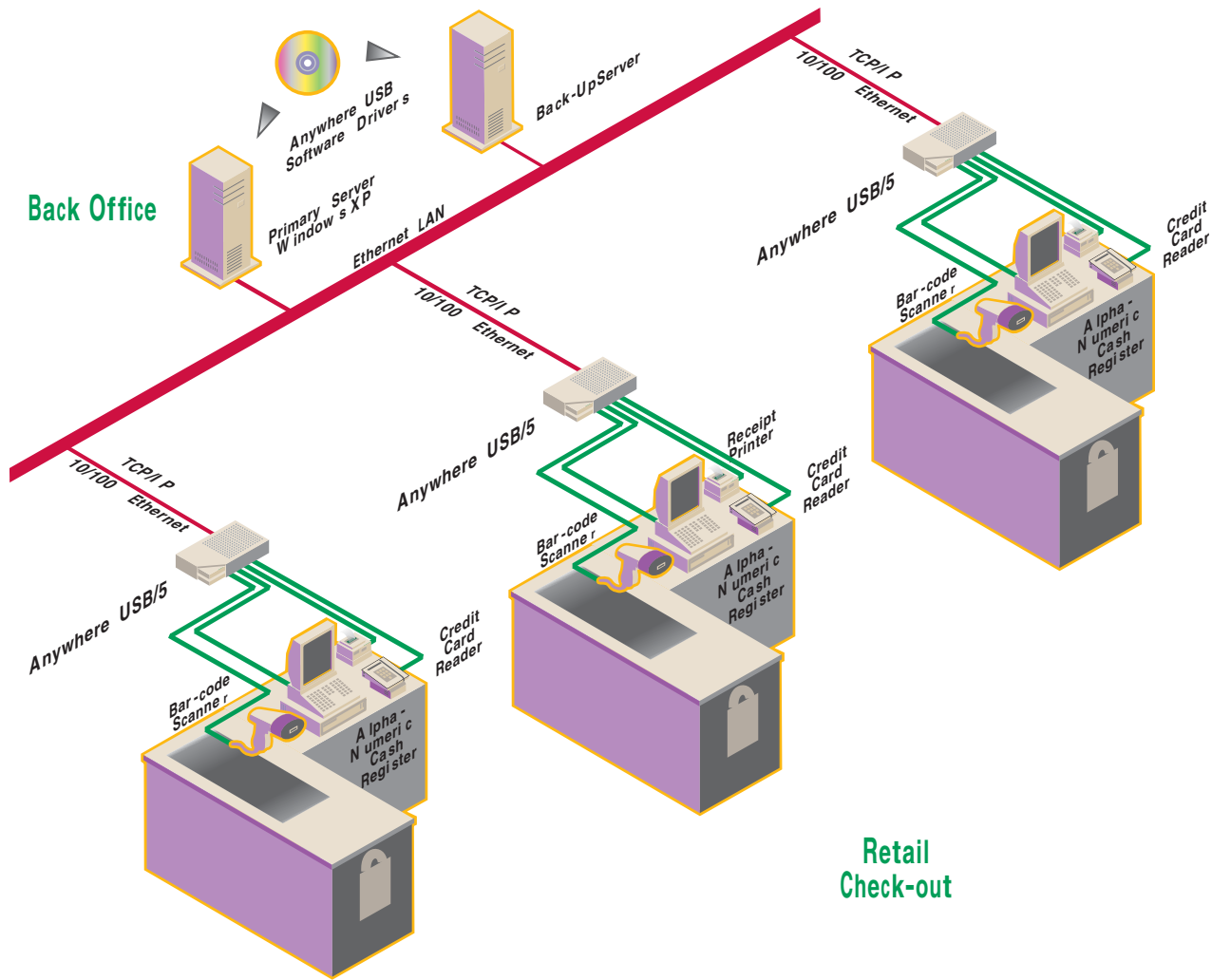
www.delmation.nl

**Dimensions**

- Length: 4.35 in (11.05 cm)
- Width: 7.2 in (18.29 cm)
- Height: 1.03 in (2.61 cm)
- Weight: 10 oz (283.49 g)

**Power Requirements**

- Ships with 110/230 VAC 60/50 Hz at 5Vdc @ 3 Amps max (includes 110VAC power cord)



**Retail  
Check-out**

Delmation Products BV  
Tel: +31 (0)79 342 2041  
www.delmation.nl

International Headquarters:

**B&B Electronics Mfg. Co.** 707 Dayton Road P.O. Box 1040 Ottawa, IL 61350 USA