

VESR9xx

Vlinx™ Industrial Ethernet Serial Servers

PRODUCT INFORMATION

- ✓ Ethernet Enable Serial Devices
- ✓ Direct IP, Virtual COM Port, or Paired Mode
- ✓ Ethernet Pass-through Port Available
- ✓ Ethernet Fiber Options
- ✓ Serial MEI Ports
- ✓ UL Class 1 Div 2



Take control of your serial devices with VLINX™ VESR 9xx Industrial Ethernet Serial Servers. If it has a Serial Port, it can be monitored and controlled from anywhere on your Ethernet LAN or WAN. Keep it at maximum productivity without leaving your office. Even troubleshoot it from outside your LAN via the Internet. The easy to use Vlinx™ Manager software puts access to your whole shop on your desk. Configure devices, upgrade firmware and monitor activity. Configuration changes can also be made using a web browser.

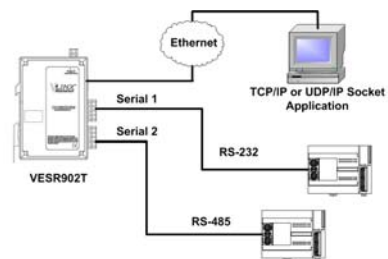
Multiple fiber optic options make integration into any existing network quick. No need to purchase an extra media converter when you can choose from Multi-mode SC / ST, 15km Single-mode SC/ST, 40 km Single-mode SC/ST, or 80 km Single-mode SC/ST.

VESR92x series servers also feature an additional copper RJ45 port that allows you to connect another Ethernet device or PC work-station. This Pass-through port functions much like an unmanaged switch.

Heartbeat connectivity keeps the serial server on-line. If connectivity is lost it will attempt to reconnect every five seconds until a connection is regained. A manual reboot is not required when communications are restored.

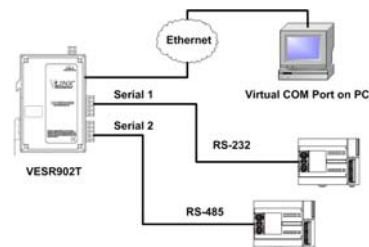
Direct IP Mode

TCP/IP or UDP/IP socket applications communicate directly with serial devices



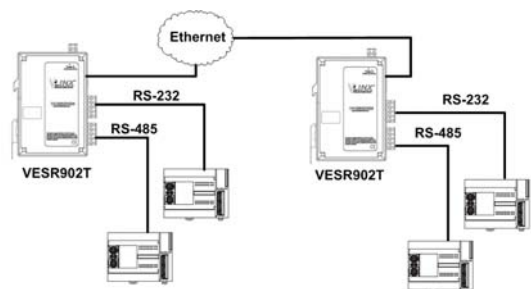
Virtual COM Mode

Communicate with serial devices through your network as if they were connected to a physical COM port.



Paired Mode

Serial devices communicate with each other by tunneling through your network.



B&B ELECTRONICS

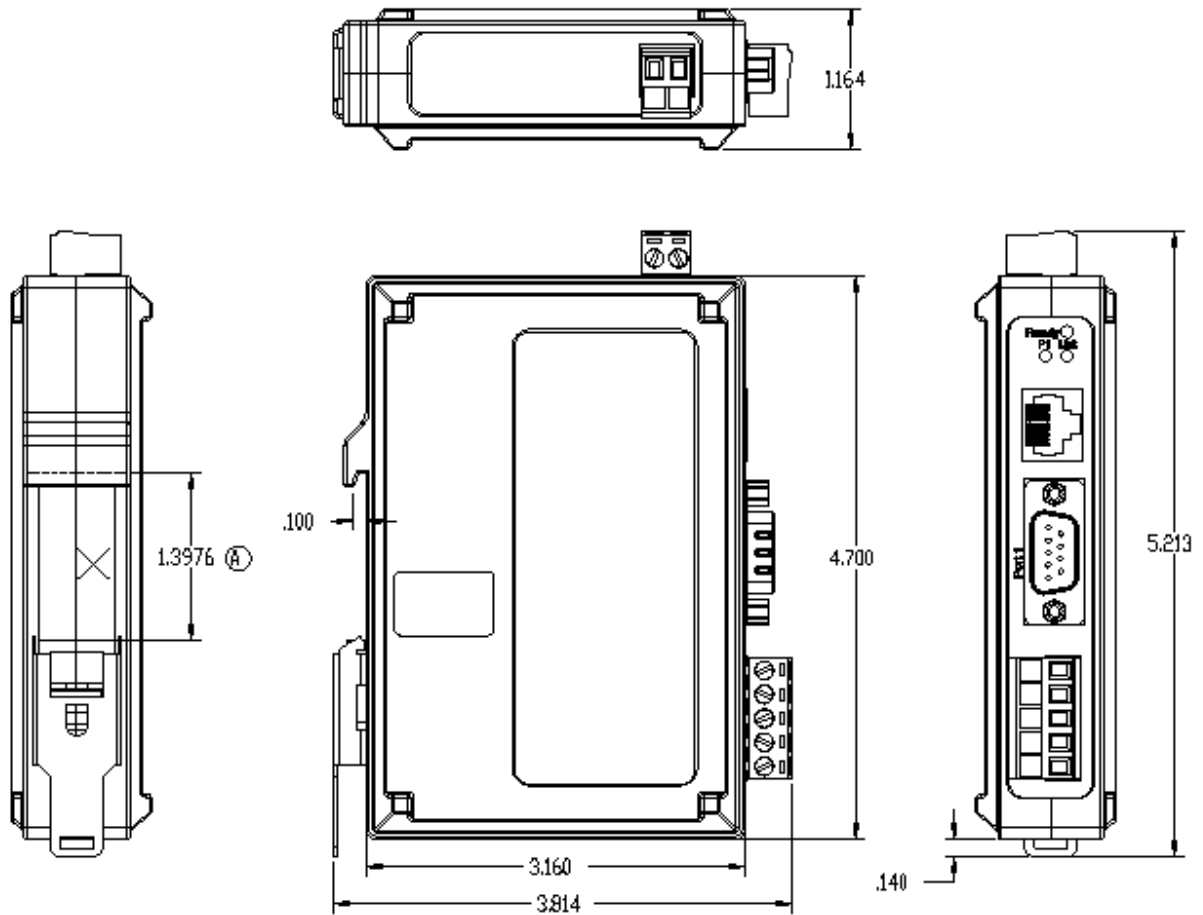
Ordering Information

Model Number	Serial Ports	Serial Connectors	Ethernet Media	Ethernet Connectors
VESR901	1	DB9 & TB	CAT 5	RJ45
VESR901-MC	1	DB9 & TB	Multi-mode Fiber	SC
VESR901-MT	1	DB9 & TB	Multi-mode Fiber	ST
VESR901-SC	1	DB9 & TB	Single Mode Fiber	SC
VESR901-SC40	1	DB9 & TB	Single Mode Fiber - 40 km	SC
VESR901-SC80	1	DB9 & TB	Single Mode Fiber - 80 km	SC
VESR901-ST	1	DB9 & TB	Single Mode Fiber	ST
VESR901-ST40	1	DB9 & TB	Single Mode Fiber - 40 km	ST
VESR901-ST80	1	DB9 & TB	Single Mode Fiber - 80 km	ST
VESR902D	2	DB9	CAT 5	RJ45
VESR902D-MC	2	DB9	Multi-mode Fiber	SC
VESR902D-MT	2	DB9	Multi-mode Fiber	ST
VESR902D-SC	2	DB9	Single Mode Fiber	SC
VESR902D-SC40	2	DB9	Single Mode Fiber - 40 km	SC
VESR902D-SC80	2	DB9	Single Mode Fiber - 80 km	SC
VESR902D-ST	2	DB9	Single Mode Fiber	ST
VESR902D-ST40	2	DB9	Single Mode Fiber - 40 km	ST
VESR902D-ST80	2	DB9	Single Mode Fiber - 80 km	ST
VESR902T	2	TB	CAT 5	RJ45
VESR902T-MC	2	TB	Multi-mode Fiber	SC
VESR902T-MT	2	TB	Multi-mode Fiber	ST
VESR902T-SC	2	TB	Single Mode Fiber	SC
VESR902T-SC40	2	TB	Single Mode Fiber - 40 km	SC
VESR902T-SC80	2	TB	Single Mode Fiber - 80 km	SC
VESR902T-ST	2	TB	Single Mode Fiber	ST
VESR902T-ST40	2	TB	Single Mode Fiber - 40 km	ST
VESR902T-ST80	2	TB	Single Mode Fiber - 80 km	ST
VESR921	1	DB9 & TB	CAT 5	Two RJ45
VESR921-MC	1	DB9 & TB	CAT 5, Multi-mode Fiber	One RJ45, One SC
VESR921-MT	1	DB9 & TB	CAT 5, Multi-mode Fiber	One RJ45, One ST
VESR921-SC	1	DB9 & TB	CAT 5, Single Mode Fiber	One RJ45, One SC
VESR921-SC40	1	DB9 & TB	CAT 5, Single Mode Fiber 40 km	One RJ45, One SC
VESR921-SC80	1	DB9 & TB	CAT 5, Single Mode Fiber 80 km	One RJ45, One SC
VESR921-ST	1	DB9 & TB	CAT 5, Single Mode Fiber	One RJ45, One ST
VESR921-ST40	1	DB9 & TB	CAT 5, Single Mode Fiber 40 km	One RJ45, One ST
VESR921-ST80	1	DB9 & TB	CAT 5, Single Mode Fiber 80 km	One RJ45, One ST
VESR922T	2	TB	CAT 5	Two RJ45
VESR922T-MC	2	TB	CAT 5, Multi-mode Fiber	One RJ45, One SC
VESR922T-MT	2	TB	CAT 5, Multi-mode Fiber	One RJ45, One ST
VESR922T-SC	2	TB	CAT 5, Single Mode Fiber	One RJ45, One SC
VESR922T-SC40	2	TB	CAT 5, Single Mode Fiber 40 km	One RJ45, One SC
VESR922T-SC80	2	TB	CAT 5, Single Mode Fiber 80 km	One RJ45, One SC
VESR922T-ST	2	TB	CAT 5, Single Mode Fiber	One RJ45, One ST
VESR922T-ST40	2	TB	CAT 5, Single Mode Fiber 40 km	One RJ45, One ST
VESR922T-ST80	2	TB	CAT 5, Single Mode Fiber 80 km	One RJ45, One ST

Accessory Items

Power Supply	MDR-40-24
Panel Mount Adapter	DRPM25

Mechanical Diagram - Units with one Ethernet Port



Ⓐ DESIGNED TO FIT ON A STANDARD 35mm DIN RAIL

Mechanical Diagram - Units with Two Ethernet Ports

