

# 8B49

## Voltage Output Modules

### Description

8B modules are an optimal solution for monitoring real-world process signals and providing high-level signals to a data acquisition system. Each 8B49 module accepts an input signal from a non-isolated source, then isolates, filters and converts the signal to a high level process voltage output.

Signal filtering is accomplished with a three pole filter optimized for time and frequency response which provides 60dB per decade of normal-mode-rejection above 1kHz. One pole of this filter is on the system side and the other two are on the isolated field side.

A special output circuit in the 8B49 module provides protection against accidental connection of power-line voltages up to 40VAC continuous. Clamp circuits on the I/O and power terminals protect against harmful transients.

The modules are designed for installation in Class I, Division 2 hazardous locations and have a high level of immunity to environmental noise.

### ► Features

- Accepts High Level Voltage
- Isolated Process Voltage Output
- 1500Vrms Transformer Isolation
- ANSI/IEEE C37.90.1 Transient Protection
- Output Protected to 40VAC Continuous
- 110dB CMR
- 1kHz Signal Bandwidth
- ±0.05% Accuracy
- ±0.02% Linearity
- Low Drift with Ambient Temperature
- UL and CE Certifications Pending
- Mix and Match Module Types on Backpanel

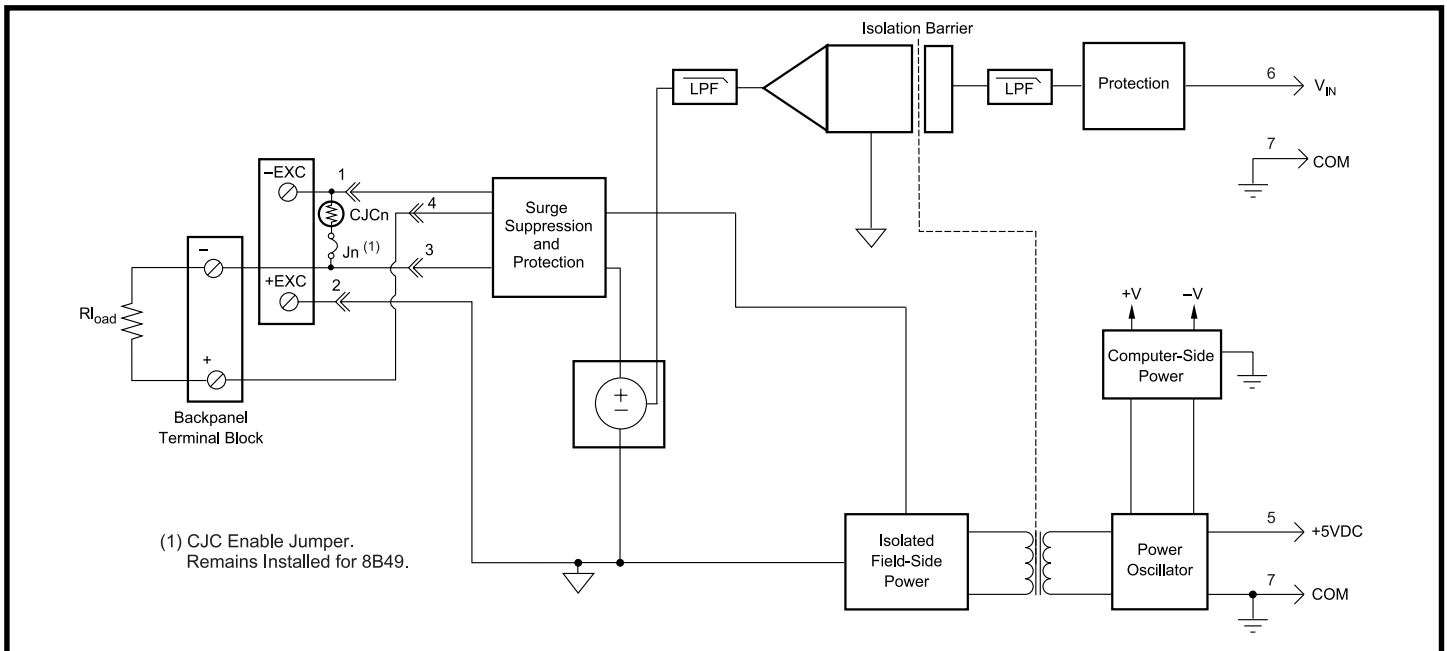


Figure 1: 8B49 Block Diagram

**Specifications** Typical at  $T_A = +25^\circ\text{C}$  and +5V power

Module	8B49
Input Voltage Range	$\pm 5\text{V}$ , 0 to +5V, $\pm 10\text{V}$ , 0 to +10V
Input Voltage Maximum	$\pm 20\text{V}$ (no damage)
Input Resistance	2M $\Omega$
Output Voltage Range	$\pm 5\text{V}$ , 0 to +5V, $\pm 10\text{V}$ , 0 to +10V
Over Range Capability	5% at 10V output
Output Drive	$\pm 15\text{mA}$ max
Output I Under Fault, Max	30mA
Output Protection	
Continuous	40Vrms max
Transient	ANSI/IEEE C37.90.1
CMV, Output to Input	
Continuous	1500Vrms max
Transient	ANSI/IEEE C37.90.1
CMR (50 or 60Hz)	110dB
NMR (-3dB at 1kHz)	60dB per Decade Above 1kHz
Accuracy <sup>(1)</sup>	$\pm 0.05\%$ Span (0-5mA Load)
Nonlinearity	$\pm 0.02\%$ Span
Stability	
Zero	$\pm 25\text{ppm}/^\circ\text{C}$
Span	$\pm 50\text{ppm}/^\circ\text{C}$
Noise	
Output, 100kHz	1mVrms
Bandwidth, -3dB	1kHz
Response Time, 90% Span	350 $\mu\text{s}$
Power Supply Voltage	+5VDC $\pm 5\%$
Power Supply Current	120mA Full Load, 35mA No Load
Power Supply Sensitivity	$\pm 100\text{ppm}/\%$
Mechanical Dimensions (h)(w)(d)	1.11" x 1.65" x 0.40" (28.1mm x 41.9mm x 10.2mm)
Environmental	
Operating Temp. Range	-40°C to +85°C
Storage Temp. Range	-40°C to +85°C
Relative Humidity	0 to 95% Noncondensing
Emissions EN61000-6-4	ISM, Group 1
Radiated, Conducted	Class A
Immunity EN61000-6-2	ISM, Group 1
RF	Performance A $\pm 0.5\%$ Span Error
ESD, EFT, Surge, Voltage Dips	Performance B

## NOTES:

(1) Includes nonlinearity, hysteresis and repeatability.

**Ordering Information**

Model	Input Range	Output Range
8B49-01	0V to +5V	-5V to +5V
8B49-02	-5V to +5V	-5V to +5V
8B49-03	-5V to +5V	0V to +5V
8B49-04	0V to +10V	-10V to +10V
8B49-05	-10V to +10V	-10V to +10V
8B49-06	-10V to +10V	0V to +10V
8B49-07	-5V to +5V	-10V to +10V