

Patch Antenna (HPA-120)

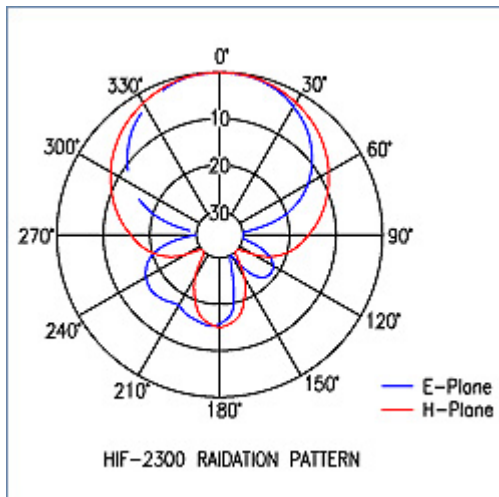
1. Specifications

1.1 Electrical Specifications



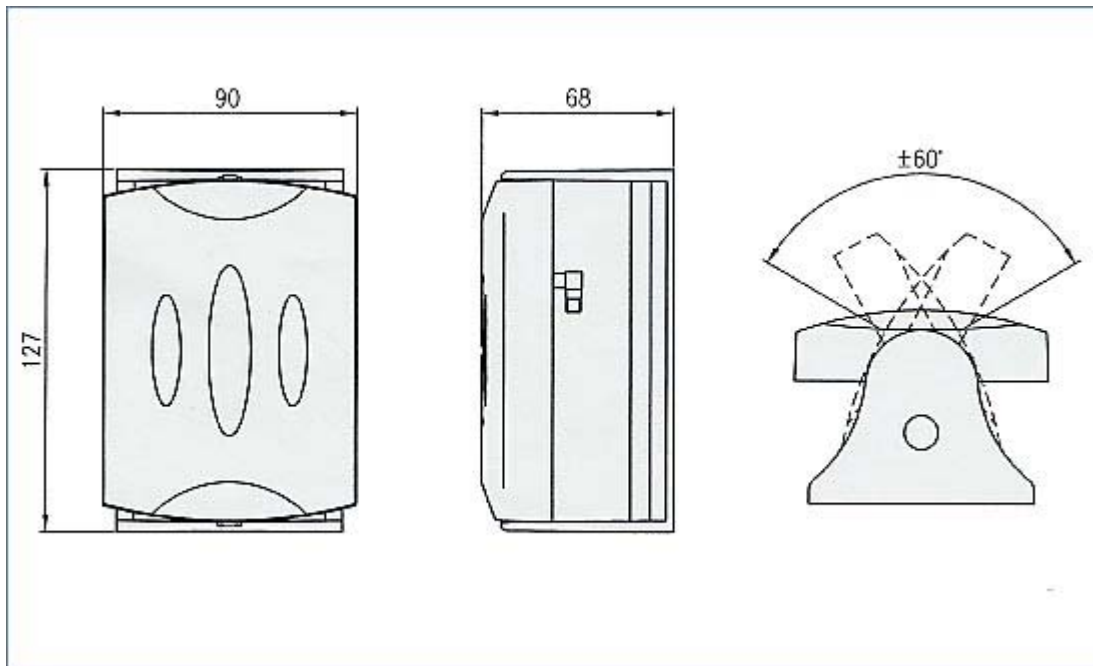
Item	Specification
Frequency Range	2400-2500MHz
Gain	8.5 dBi
Front to Back Ratio	15 dB
3dB Beamwidth	E-Plane 55° H-Plane 70°
V.S.W.R (Max.)	1.5 : 1
Impedance	50 ohms (nominal)
Polarization	Vertical
Power Input (Max.)	50 W

1.2 Mechanical Specifications



Item	Specification
Dimensions	W: 90 mm H: 127 mm D: 68 mm
Weight	160 g
Connector Type	SMA - R/A Female
Articulation Angle	- 60 ° ~ + 60 °
Operating Temperature	- 30 °C ~ + 60 °C

2. Outline Drawing



Delmation Products BV
T +31 (0)79 342 2041
info@delmation.nl
www.delmation.nl