

Panel Mount Thermalprinter with Easy-Paper-Load - Mechanism



- Easy handling
- Paperwidth 112mm
- +5-8.2 V DC voltage
- Interfaces: RS232, TTL-serial
- Available completely assembled with controller
- Measurements (W x H x D) 160,5 mm x 138,5 mm x 60mm
- IBM-II-Character + National Characters

Compact Panel Mount Printer.

Stable plastic housing with 4" Easy-Paper-Load mechanism for industrial applications. This thermal printer is able to produce high quality print outs of graphics and barcodes. Further applications are data terminals, measurement and medical technologies. Detailed specifications are available on request.

Part number and explanation:

DPT-445V-500-SER

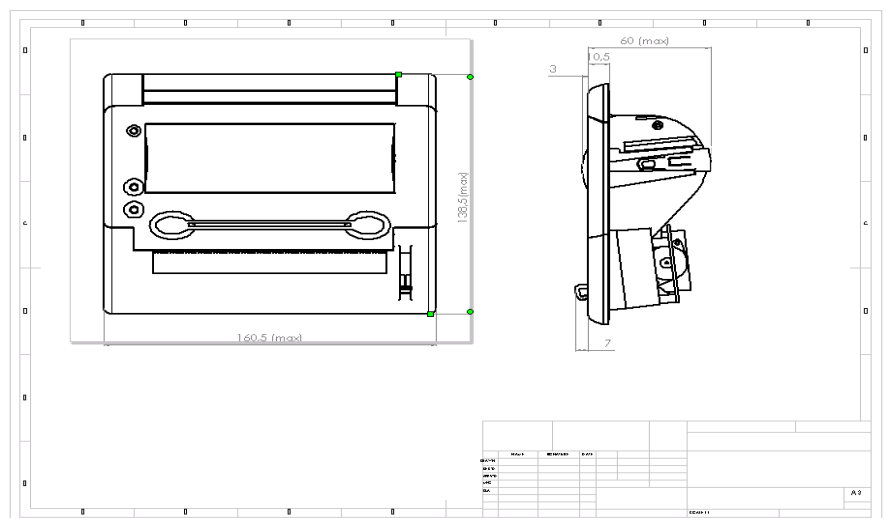
Thermal printer with Easy-Paper-Load-Mechanism, 112 mm Paperwidth, TTL-serial Interface, completely assembled with Controller
+ 5V DC - 7.5V DC

Paper :

DPA-038-TR1

Cables:

Serial DKA-247



Delmation Products BV
info@delmation.nl
www.delmation.nl
Tel: +31 (0)79 342 2041