



Low Cost, High Performance, Data Collection Terminal/Keypad



The compact ELX, with panel mount and wall-mount configurations, backlit display and sealing to IP65 standard, has been engineered for machine monitoring, data collection and general operator interfacing applications in a wide variety of environments.

The RS232 model is a simple ASCII device with selectable Baud Rate from 300 to 38400 and RTS/CTS or XON/XOFF handshaking.

The RS485 version provides robust optically isolated MultiDrop networking where up to 64 devices can be addressed with a single twisted pair cable up to 1Km distance at up to 115 KBaud. Barcode scanners and swipe readers etc. can be connected via the auxiliary RS232 port. There is an optional MultiDrop System Unit to simplify interfacing to the host system.

The I/O option adds 2 relay outputs and 4 opto-isolated digital inputs. Status and count values can be read for all digital inputs. Inputs can count at up to 250 Hz and the debounce value is individually presettable. Count values for inputs 1 and 2 can be stored in the event of power failure.

No-Cost customised keyboards in full colour

The ELX is ideal when it comes to changing key legends or adding logos or photographic images to the front panel – our manufacturing digital print technology delivers high quality, full colour customer key layouts, included in the price if specified at the time of ordering

Just modify the standard CorelDraw™ graphic file which is supplied with the Starter Kit or available from the ELX website at www.miniterminal.com and email with your order. User defined key assignments can be downloaded via the RS232 port to replace the standard keyboard assignments.

Quick Start Kits include manual, cables, power supply &



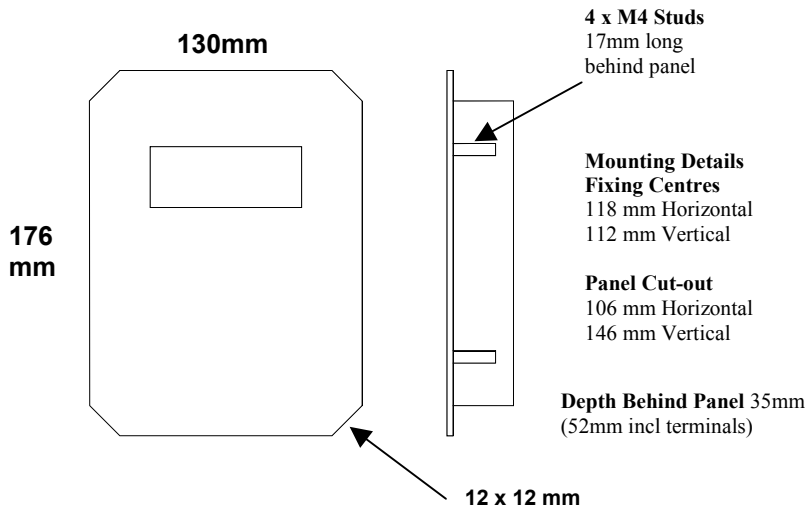
Industrial
Data Products
Limited

Tel : +44 (0)1633 838411 Fax: +44 (0)1633 860689

E-mail: sales@idp.uk.com

Website: www.idp.uk.com and www.miniterminal.com

Dimensions



Panel Mount



Desk-Top Version



Dimensions 134w x 190 x 55(rear), 34(front) mm.

Wall Mount Enclosure



Dimensions 136w x 182 x 82 mm

The ELX wall mount enclosure comprises 2 sections with an O ring seal to preserve IP65 sealing. The ELX fits to the front part permitting the rear section to be installed separately. The material is ABS.

Specifications

Power Supply
Display
Keyboard
Communications

Unregulated 12 to 30v dc, 3 watts max or regulated 5vdc +/- 5%.
4 lines x 20 characters with backlighting, character height 4.75mm (Backlight can be disabled).
25 key tactile sealed. Customisable.

RS232 Port :

300-38400 baud. 8,N,1 or 7,E,2, RTS/CTS or XON/XOFF handshaking.
Bidirectional in RS232 version. Receive-only (with terminating character or time-out) in RS485 MultiDrop version

RS485 MultiDrop Port :

2 or 4 wire RS485 - 9600, 19200, 38400, or 115000 baud, up to 63 addresses. Opto-isolated.

Pluggable screw terminals
4 Opto-isolated inputs. 4.5v to 30vdc = ON.

All inputs are also configured as counters (there are separate commands to read status and counter values). (Operating frequency 0 to 250 Hz, count range 32bit). Can be reset or stored on power loss. Debounce setttable from 1mS to 1000 mS. Count on rising or falling edge.

2 Relay Outputs Normally open contacts rated 2A (Max 50v).

0 to 55 deg C (-20 to 80 deg C Storage)

20% to 95% RH non-condensing

IP65

Front - IP65 (Behind panel protection is IP20)

IP65

CE

Connections
I/O Options

Temperature
Humidity
Desk-Top Version Protection
Panel-Mount Version Protection
Wall Mount Protection
Certification

Order Codes

ELX 232 Panel mount RS232 version
ELX 23210 as ELX 232 + 4 digital inputs + 2 relay outputs
ELX 485 Panel mount MultiDrop RS485 with aux RS232 Port
ELX 48510 as ELX 485 + 4 digital inputs + 2 relay outputs
WMX Wall Mount Enclosure
ELD 232 Desk-top RS232 version
ELD 23210 as ELD 232 + 4 digital inputs + 2 relay outputs
ELD 485 Desk-top MultiDrop RS485 with aux RS232 Port
ELD 48510 as ELD 485 + 4 digital inputs + 2 relay outputs
ELX-STK1 RS232 Starter Kit
ELX-STK2 RS485 Starter Kit (Includes MultiDrop System Unit)
485MSU RS485 MultiDrop System Unit
MC1 "Magic" RS232 to RS485 converter



The Studio, Oldbury Business Centre, Cwmbran, Gwent UK. NP44 3JU. Tel: 01633 838411 Fax: 0163 860689
International +44 1633 838411 Fax +44 1633 860689
Email: sales@idp.uk.com
Website: www.idp.uk.com and www.miniterminal.com

Specifications subject to change without notice