

# LEC-2055

## Small Form Factor Embedded System



**Cost Effective Embedded System with Small Form Factor**

As one of our smallest IPCs the LEC-2055 is a perfectly designed to be hidden away and slightly run your applied computing needs.

The LEC-2055 comes with a Mini-PCIe socket with a SIM card reader and can be hooked up to 3G networks.

The completely fanless design coupled with best practice engineering allows the LEC-2055 to thrive in a variety of deployment scenarios.

**Features**

- wide temperature range
- mini-PCIe slot for expansion
- compatible with VESA & wall mounts
- robust fanless enclosure

- VGA
- WIFI
- GbE
- 3G
- COM
- SATA



## Specifications

<b>LEC 2 Series</b>	LEC-2055		
<b>Dimension (WxHxD)</b>	198x42x145mm (7.80"x1.65"x5.71")		
<b>Processor</b>	Intel Atom N270 1.6GHz		
<b>Chipset</b>	Intel 945GSE + ICH7M		
<b>System</b>	Technology	DDR2 SODIMM x1	
<b>Memory</b>	Max. Capacity	Up to 2GB	
<b>Storage</b>	IDE	CF socket Type I/II x1	
	SATA	2.5" HDD/SSD drive bay x1	
<b>Ethernet Controller</b>	Realtek RTL8111 x2		
<b>Graphic Controller</b>	Intel GMA950		
<b>Audio Controller</b>	No		
<b>IO</b>	LAN	GbE RJ45 x2	
	Display	DB15 x1 for VGA	
	Video Grabber	No	
	Audio	No	
	Serial I/O	DB9 x3 for RS232/422/485 x2 and RS232 x1	
	GPS	No	
	Digital I/O	Internal Pin-header for GPIO x4	
	USB 2.0	Type A x2 Internal x2	
	Power Input	2-pin terminal block	
	Expansion	Mini-PClex1 with SIM card reader	
	Others	External: 2x SMA antenna holes, reset; Internal: PS/2 keyboard and mouse, +5Vdc output	
	<b>Power Input</b>	+12~36Vdc, ATX Mode	
	<b>AC Adapter</b>	60W +24V @ 2.5A	
<b>Hardware Monitor</b>	Fintek F81865 integrated watchdog timer 1~255 level		
<b>OS Support</b>	Linux , XPE/WES2009, XP PRO FES, WS7E, WS7P, WIN 7 PRO-E		
<b>Certifications</b>	CE, FCC Class A		
<b>Compliance</b>	No		
<b>Operating Temperature Range with Industrial Components (Industrial Memory, CF, HDD, SSD....)</b>	-10~55°C/14~131°F		
<b>Operating Temperature Range with Commercial Components</b>	-5~45°C/23~113°F		

Delmation Products BV  
T +31 (0)79 342 2041  
info@delmation.nl  
www.delmation.nl

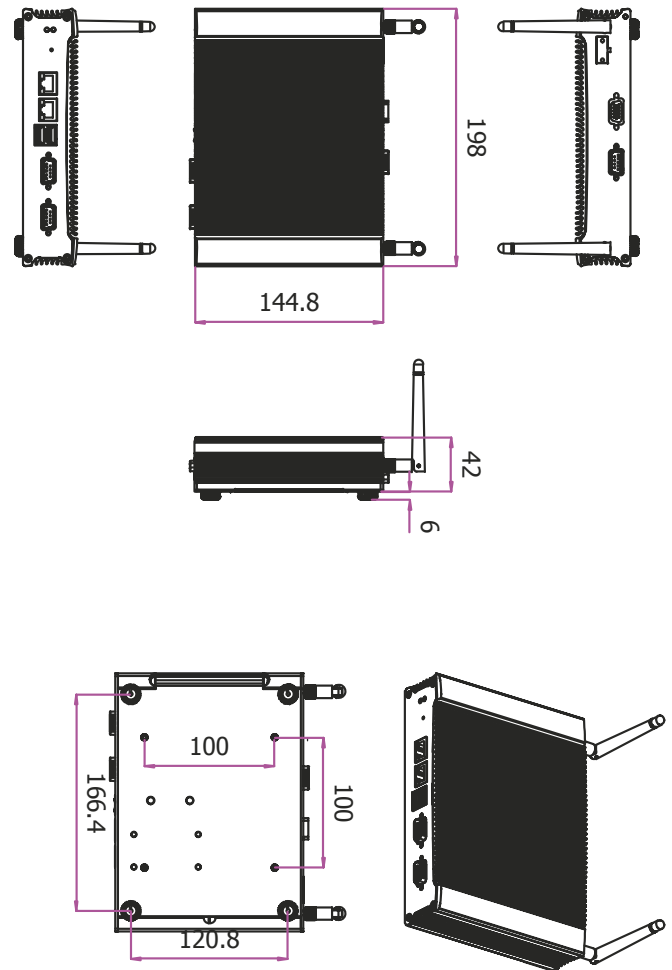


Specifications subject to change without notice.

All brand names and trademarks are the registered properties of their respective owners.

Copyright 2011 Lanner Electronics Inc.

## Mechanical Drawing



### About Lanner

Founded in 1986 and publicly listed (TAIEX 6245) since 2003, Lanner Electronics Inc. is an ISO 9001 certified designer and manufacturer of reliable, frontline network security, network video and applied computing platforms. With headquarters in Taipei, Taiwan and branches in the U.S. and China, Lanner is uniquely positioned to deliver custom technical solutions with localized, value-added service.

**Lanner**  
creating value in applied computing