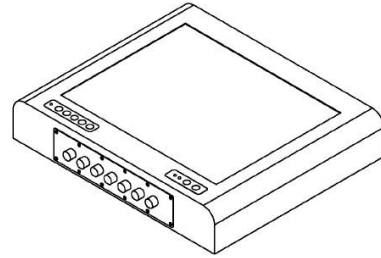
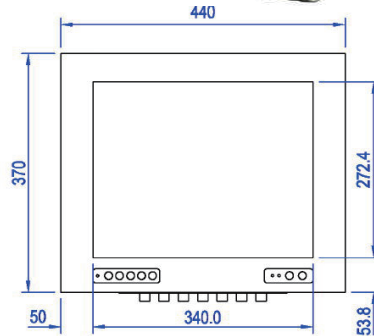
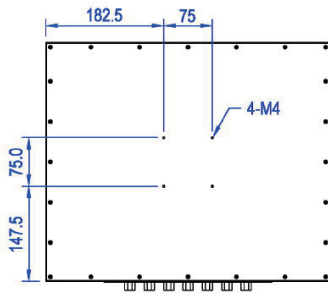


PPC-1798T-RSS-IP

17" 6-Side fully waterproof Stainless Steel Panel PC



LCD Display Grade

LCD Size	17" Active Matrix TFT LCD
Resolution	1280 x 1024 resolution
Aspect Ratio	4 : 3 standard ratio
Luminance	350 cd/m2
Color Depth	16.7 million colors
View Angle	85(L) / 85(R) / 80(U) / 80(D) degree
Contrast Ratio	800 : 1 (typical)
Backlight life	50,000 Hours at 25°C ambient temperature

Mechanical

Front Bezel	Stainless steel front bezel
Construction	Rugged stainless steel construction
Standard Color	Stainless Steel polished original color

Mounting Method

Wall-Mount	Support VESA-75 wall mounting
Mounting Kit	Mounting Kit is available at extra cost

Touch Screen

Touch Screen	17" long life 5-Wire Resistive Touch
Resolution	4096 x 4096 ultra high resolution

IP-65 Rate and I/O Connector

All 6 Sides	IP-65 Water-proof at all 6 Sides
VESA holes	All VESA holes are water-proof
I/O Connector	All I/O connectors are military water-proof circular connectors

Mainboard

CPU	Intel Core solo ultra low voltage 1.6GHz
System Memory	512KB, 1G up to 4G DDR2 SO-DIMM RAM
Storage Device	80, 160, 320GB anti-shock slim 2.5" HDD

Environmental

Operat Temperature	Meet MIL-STD-810F, 0°C to +60°C
Storage Temperature	Meet MIL-STD-810F, -20°C ~ +80°C
Shock	Meet MIL-STD-810F standard
Vibration	Meet MIL-STD-810F standard
CE	Meet CE standard
FCC	Meet FCC standard
RoHS	Meet RoHS standard

I/O Interface

Graphics Chip	Intel GMA 950
Video RAM	224MB Video share RAM
Lan (Ethernet)	1 Gigabit Ethernet port 10/100/1000 Mbps
COM (Serial)	2 RS232 COM Ports (Option: 4 COM Ports)
RS422 / 485	Option : 1 RS422 / 485
USB Port	4 USB2.0 Ports (Option: 8 USB Ports)
PS2 Keyboard	1 PS2 Port for Keyboard interface
PS2 Mouse	1 PS2 Port for Mouse interface
Audio In-Out Port	Option (this is not an necessary item)
I/O Connector	All I/O are water-proof military circular connectors

Power Adapter

AC Power Source	External AC-DC adapter from 90 up to 264V
DC Power Source	Support DC 12V Power source
- DC24~28V	Optional DC18~32V power available at extra cost
UL Approval	UL Approval
cUL Approval	cUL Approval
TUV Approval	TUV Approval

Expansion Slot

Mini PCIe Slot	1 mini PCI-e slot for WiFi or else purpose
CF Slot	1 x Compact Flash slot
SATA Slot	2 x SATA slot for second storage device

Ordering Information

PPC-8498T-RSS-IP	8.4" Waterproof stainless steel touch Panel PC
PPC-1098T-RSS-IP	10" Waterproof stainless steel touch Panel PC
PPC-1298T-RSS-IP	12" Waterproof stainless steel touch Panel PC
PPC-1598T-RSS-IP	15" Waterproof stainless steel touch Panel PC
PPC-1798T-RSS-IP	17" Waterproof stainless steel touch Panel PC
PPC-1998T-RSS-IP	19" Waterproof stainless steel touch Panel PC
PPC-2098T-RSS-IP	20" Waterproof stainless steel touch Panel PC
PPC-2298T-RSS-IP	22" Waterproof stainless steel touch Panel PC