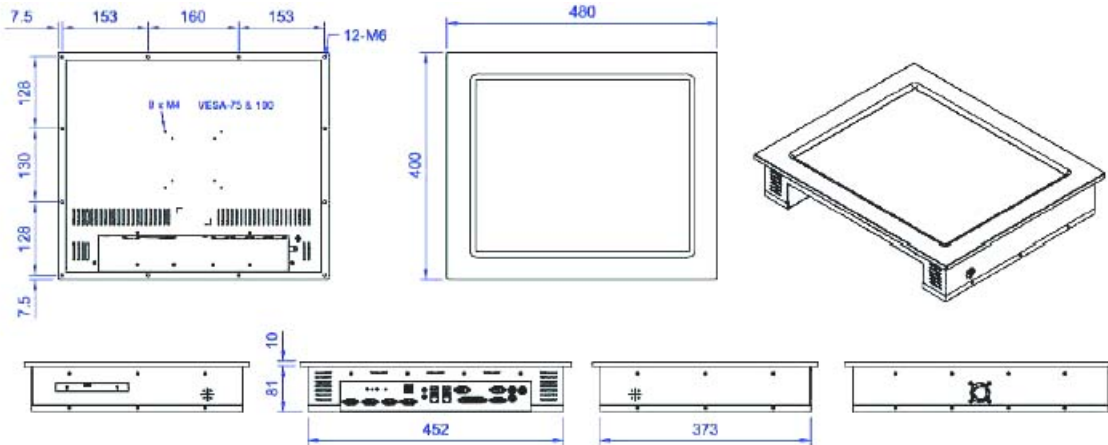


PPC-1999T-AL

19" Rugged Extreme High Speed Panel PC
Intel Core 2 Duo / Core 2 Quad LV Ultra High Speed
Also available with SB (Stainless steel Bezel), MC (Metal Chassis) and RMC (Rounded Metal Chassis)



LCD Display Grade

LCD Size	19" Active Matrix TFT LCD
Resolution	1280 x 1024 resolution
Aspect Ratio	4 : 3 standard ratio
Luminance	300 cd/m2
Color Depth	16.7 Million colors
View Angle	85(L) / 85(R) / 85(U) / 85(D) degree
Contrast Ratio	900 : 1 (typical)
Backlight life	50,000 Hours at 25°C ambient temperature

Touch Screen

Touch Screen	19" long life 5-Wire Resistive Touch
Resolution	4096 x 4096 ultra high resolution

Mainboard

CPU Extreme	Intel Extreme High Speed CPU
- Core 2 Quad	Core 2 Quad LV 2.0G with 6M L2 cache extreme
- Core 2 Quad	Core 2 Quad LV 2.267G with 12M L2 cache extreme
- Core 2 Duo	Core 2 Duo LV 2.4G with 3M L2 cache high speed
- Core 2 Duo	Core 2 Duo LV 2.53G with 4M L2 cache extreme
System Memory	1G, 2G, 4G, 8GB DDR3 high speed SO-DIMM
HDD, anti-shock	160, 320, 500GB anti-shock slim anti-shock HDD
SSD (Solid State)	8G, 16G, 32G, 64G, 128G, etc.

Chipset

System Chipset	Intel GM45 and ICH10M
----------------	-----------------------

I/O Interface

Graphics Chip	Intel GMA 4500MHD
Video RAM	384MB Video share RAM
Lan (Ethernet)	2 Gigabit Ethernet Port 10/100/1000Mbps
COM (Serial)	4 RS232 COM Ports (Option: 6 COM Ports)
RS422 / 485	Option : 1 RS422 / 485
USB Port	6 USB2.0 Ports (max. 8 USB Ports)
PS2 Keyboard	1 PS2 Port for Keyboard interface
PS2 Mouse	1 PS2 Port for Mouse interface
Audio In-Out Port	Audio-in, Audio-out, HD Audio Ports
Digital I/O (option)	Optional 4 digital inputs and 4 digital outputs

Expansion Slot

Mini PCI-e Slot	1 Mini PCI-e slot for future expansion e.g. WiFi
PCI Slot	1 x PCI slot hidden inside
CF Slot	1 x Compact Flash slot
SATA Slot	2 x SATA slot for second storage device

Mechanical

Front Bezel	Solid aluminum front bezel
Construction	Rugged heavy-duty
Standard Color	Black color
Handle Grip	Optional 2 heavy-duty handles for easy handling

Mounting Method

Panel Mount	Support Front Panel Mount
Wall-Mount	Support VESA-75 wall mount
Mounting Kit	Mounting Kit is available at extra cost

IP-65 Rate

IP-65	IP-65 Water-proof at front side
Front Mount	Support panel mount
Wall Mount	VESA-75 Wall mount

Environmental

Operat Temperature	Meet MIL-STD-810F, 0°C to +60°C
Storage Temperature	Meet MIL-STD-810F, -20°C ~ +80°C
Shock	Meet MIL-STD-810F standard
Vibration	Meet MIL-STD-810F standard
CE	Meet CE standard
FCC	Meet FCC standard
RoHS	Meet RoHS standard

Power Adapter

AC Power Source	External AC-DC adapter from 90 up to 264V
DC Power Source	Support DC 12V Power source
- DC24~28V	Optional DC18~32V power available at extra cost
UL Approval	UL Approval
cUL Approval	cUL Approval
TUV Approval	TUV Approval

Ordering Information

PPC-1999-AL, Aluminum bezel
 PPC-1999T-AL, Aluminum bezel, Touch screen
 PPC-1999-AL-MK Aluminum bezel, Membrane Keys
 PPC-1999T-AL-MK, Aluminum bezel, Touch screen, Membrane Keys
 PPC-1999-SB, Stainless steel Bezel
 PPC-1999T-SB, Stainless steel Bezel, Touch screen
 PPC-1999-SB-MK Stainless steel Bezel, Membrane Keys
 PPC-1999T-SB-MK, Stainless steel Bezel, Touch screen, Membrane Keys
 PPC-1999-MC, Metal Chassis
 PPC-1999T-MC, Metal Chassis, Touch screen
 PPC-1999-MC-MK, Metal chassis, Membrane Keys
 PPC-1999T-MC-MK Metal chassis, Touch screen, Membrane Keys
 PPC-1999-RMC, Round Metal Chassis
 PPC-1999T-RMC, Round Metal Chassis, Touch screen
 PPC-1999-RMC-MK, Round Metal Chassis, Membrane Keys
 PPC-1999T-RMC-MK Round Metal Chassis, Touch screen, Membrane Keys

Optional available with Core 2 quad or other CPUs, Capacitive Touch screen (CT) or Infra-Red touch screen (IR), Sunlight readable display (SUN), heater (HT), etc.
 Please, let us know your special requests