

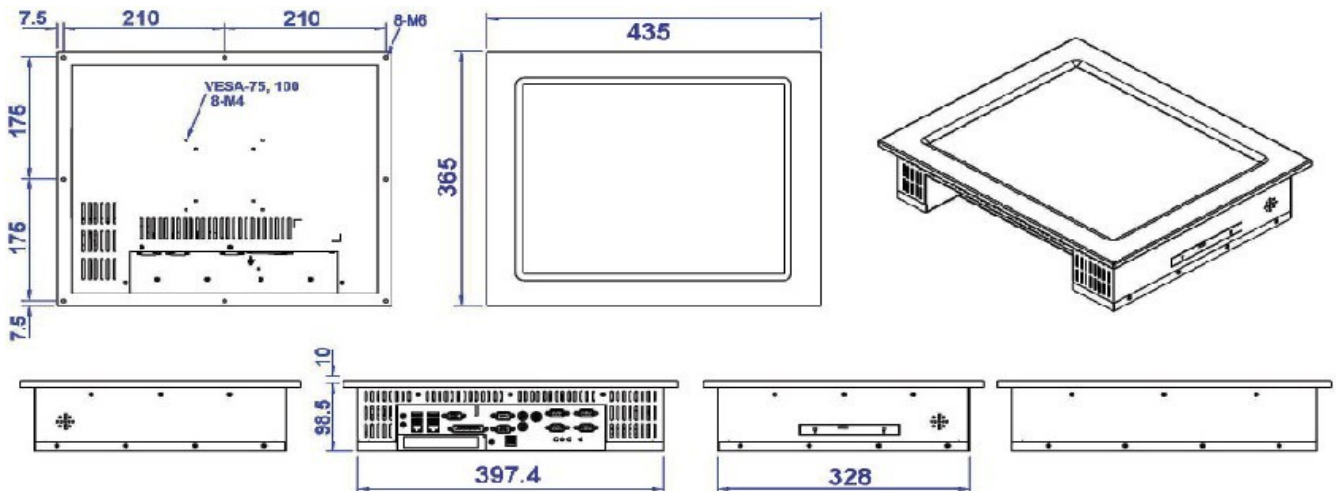
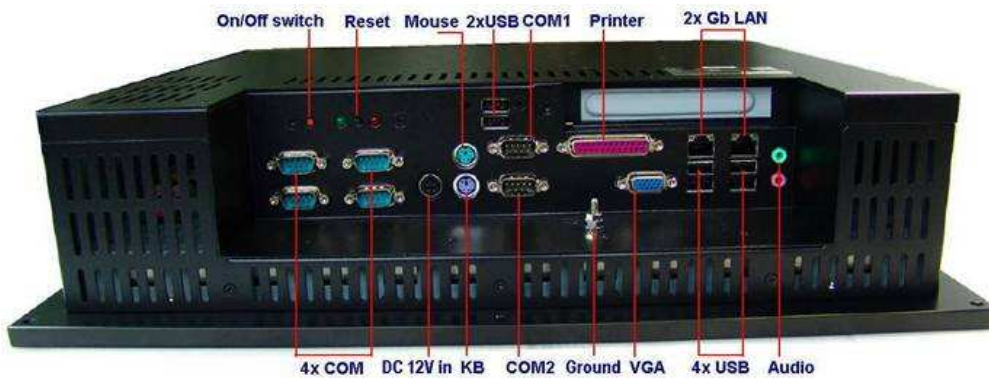
NAGASAKI PPC-1795T-AL-FL (100% fan-free)

17" Industrial-grade Panel PC, with Intel Mobile new-generation Yonah 1.06 CPU, 512M, 1G, 2G , 4GB DDR-2 / 667MHz RAM, SATA HDD, Touch screen, VGA, Dual Giga bit LAN, 6 x COM, 8 x USB2.0, PCI slot, CF slot, stereo speakers, PS2 KB, PS2 Mouse, Printer, Dual independent display, etc.



- 100% water-proof front
- IP-65,66, 67, 68, NEMA 4,12
- Solid thick Aluminum front bezel-2 x Gb LAN, 4x USB, 2x COM
- Intel Fanless C-M 1.06 GHz CPU
- DDR2-667MHz RAM up to 4GB
- Panel-mountable
- VESA-75 wall-mounting
- Auto power on after AC power loss
- Dual independent display, etc

>>> Dimensions



Specifications

CPU :

Standard : 100% Fanless Intel new-generation 65nm / 533MHz FSB Yonah ULV Core Solo 1.06GHz CPU.

Optional : Intel Yonah Mobile 1.6GHz, 2.0GHz CPU

Chipset :

Intel 945-GME chipset and integrated Intel 950- GM A 3D high speed graphic s engine

LCD Panel

17" TFT LCD, 1280 x 1024 ultra high resolution, 300 cd/m² high brightness, 16.2 million colors, 50,000 hours backlight

Aluminum Front bezel and housing

10mm solid thick aluminum front bezel.
Enclosure : rugged steel construction housing

Water-Resistant Front Panel

Meet NEMA-4, IP-65, 66, 67, 68, 100% water and dust protection rating.

Vibration and Shock resistant

Meets MIL-STD-810F military vibration and shock standards.
Extra cost is required if you need a test report or certificate

Panel-mount and Wall-mount :

Meet VESA-75, 100 wall mount standard and Panel mounting standard.

Touch Screen :

5-Wire high impact resistive touch screen, 4096 x 4096 ultra high resolution.

Industrial grade quality

This is an industrial -military grade mainboard which is highly stable and reliable for 10 – 20 years of operation .

Memory (system) :

Support ultra high speed DDR-2 / 667 MHz RAM from 512MB, 1GB, 2GB, up to 4GB.

HDD :

Support high speed slim size anti-shock 80G / 160G SATA HDD.

Video chipset :

Intel 950-GMA engine support high speed 3D graphics acceleration.

Dual Independent Display and Screen Rotation :

Support . Dual Independent Display and Screen Rotation

DVI Interface :

If you need a DVI interface other than VGA port, it is also available to put the DVI port in with extra cost.

COM (Serial) ports :

2 x COM ports
Support 6 serial ports : 5 x RS232 plus 1 x RS232 / 422 / 485.

USB port : 4 x USB 2.0

There are 4 x USB 2.0 high speed ports. 6 x USB are at the I/O port area. 2 x USB reserved for touch screen interface.

Speakers / Audio :

Built in 2 stereo speakers. Support microphone and line-out jack at the I/O port area.

PCI Expansion slot

Support one PCI slot for future expansion purpose.

Compact Flash (CF) slot

Support 1 x CF slot for CF-1 and CF-2 memory cards.

CD-ROM (optional) :

This is an optional slim size CD-ROM

LPT / Parallel Port :

This Printer port support printer interface.

Digital Input / Output

Option : Support 8 channel Digital Inputs and Outputs. You can have 8 x Digital Inputs or 8 Digital Outputs. Or 4 Digital Inputs and 4 Digital outputs.

Operating Temperature :

- Support -10 to + 5 0 degree C (100% Fanless)
- Support -10 to +60 degree C (with Fan)
- Support Auto power on after AC power loss.
- Support remote power on through internet.

Shock and Vibration Test standard

Meet MIL-STD-810F military shock and vibration standards.

Power Supply :

Universal power supply supporting all AC90 – 240V. DC power supplies are also available for your options.

Wall-mount Kit

Wall-mount kit is available for option

Ethernet Network

Support Dual Giga bit LAN at 10 / 100 / 1000 Mbps high speed Ethernet networking.

PPC-1795T : without aluminum bezel with Yonah CoreDuo 1,6GHz
PPC-1795T-AL : with aluminum bezel with Yonah CoreDuo 1,6GHz
PPC-1795T-AL-FL : when CPU is Intel Yonah Core Solo 1.06GHz, 100% fan-free

If you need Intel 1.86GHz CPU, please specify.