

NAGASAKI PPC-1984T and PPC1984T-AL (with bezel)

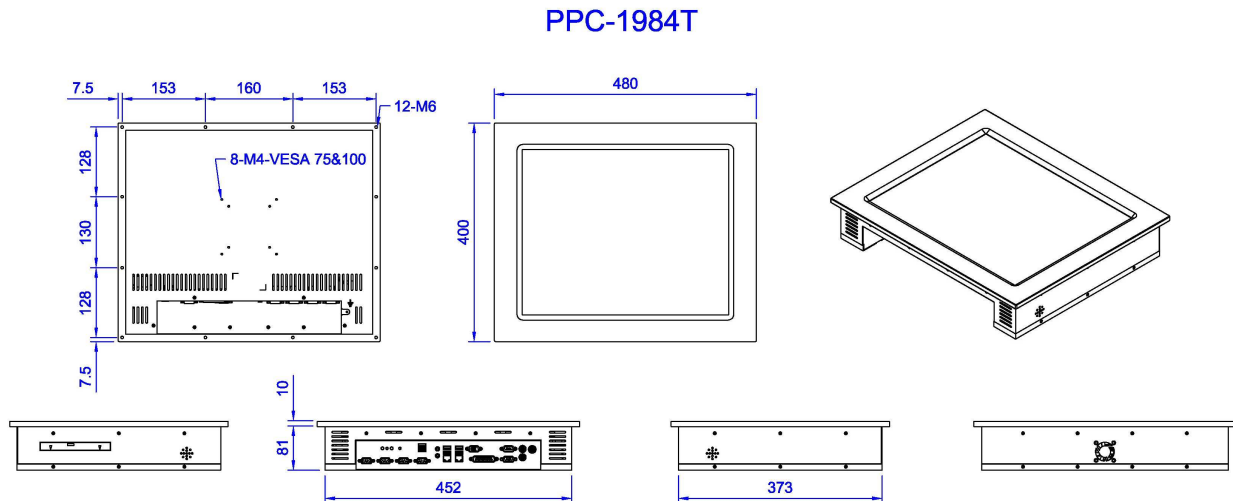
19" Panel PC, low power 1.5GHz , Touch, support 1GB RAM, 2 x LAN, VGA, 8 x USB ,
6 x COM, CF slot, PCI slot, CD-RW, 2 x Speakers, PS/2 KB and PS/2 Mouse, Printer



Features :

- Very high stability and reliability: Intel chipset and CPU
- Very long MTBF : 10 - 20 years of operating life
- High speed performance
- Capable to withstand high-temperature environment
- Capable to withstand severe and harsh environment
- Zero-Defect Panel PC for all kinds of applications
- Optional Anti-vandal, Anti-strike, Anti-explosion, chemical-resistant
- High optical transmission rate
- Anti-scratch Capacitive Touch screen (optional)
- High bright image display - 100% water-proof IP-65, NEMA-4, 12

Dimensions of PPC-1984T-AL with bezel:



Features

CPU :

VIA 1.5GHz high speed and low power mobile processor for long-term running without over-heat problem.

LCD Panel

1 9 " TFT LCD , 1280 x 1024 resolution , 350 cd/m2 high bright, (1000 cd/m2 optional) 16.77 million colors, 50,000 hours back-lite life

No. of Colors :

262,144 colors

Housing

Made by 1.2mm rugged steel metal sheet.

Aluminum bezel

Ultra thick solid aluminum bezel for 100% water proof front face

Touch Screen :

This is an optional 5-Wire Resistive touch screen. Resolution is up to 4096 x 4096 resolution. Capacitive Touch is also available.

Industrial grade quality

This is an industrial grade main board.

Memory (system) :

Support high speed DDR RAM up to 1GB .

Video chipset :

VIA CN700 integrated S3 high speed Graphic engine supporting 2D / 3D high speed video and graphics acceleration.

Speakers / Audio :

Built in 2 x speakers. Realtek ALC655 AC97 codec supporting 5.1 channel audio sound

LAN (Ethernet) Network

There are 2 x LAN ports supporting 10 / 100 Mbps networking ability.

Compact Flash (CF) slot

1 x Compact Flash slot for CF card expansion

DOM Flash Disk slot

1 IDE port for industrial-grade DOM Flash Disk slot (1, 2 or 4Gb)

HDD :

Slim size anti-vibration anti-shock 40 or 80GB HDD.

CD-ROM (optional) :

This is an optional slim size CD-ROM

Serial ports (i.e. COM)

There are 6 serial ports (COM) in total. 5 COM ports will be exposed at the I/O area. 1 x COM port is reserved inside for touch screen application. Of the 6 x COM ports, COM2 and COM4 support RS485 / 422 / 232. The other 4 x COMs support RS232 only.

USB port :

There are 8 x USB 2.0 ports in total. There are 6 x USB exposed at the I/O area. 2 x USB are reserved for touch screen control inside the enclosure.

LPT / Parallel Port :

This Printer port support printer interface.

Keyboard / Mouse port

1 x PS/2 mouse and 1 x PS/2 keyboard port at the I/O area

PCI slot :

There is one PCI slot for expansion.

Wall-mount :

Meet VESA-75, 100 wall mount standard. VESA-75 wall-mount kit is available for extra cost.

IP-65 & NEMA-4 rating :

Meet IP-65, 66, 67, 68 and NEMA-4 100% water proof ratings at front.

Operating Temperature :

-20 degree C to +50 degree C

Vibration Resistance

Meet IEC-60068 standard. 5 - 500 Hz at 2G random vibration life test under Windows XP operation.

Shock Resistance

Meet IEC-60068 shock life test at 15G acceleration for 11 msec duration under Windows XP operation

Power Supply :

Universal power supply supporting all AC 110 - 240V. DC power supply is available for your options for extra cost.

Meet CE, FCC, UL, RoHS approvals

DIO channel (option) :

There are 8 Digital Input and output channels are available for your selection with extra cost. Minimum order is 5 units.

Model: PPC1984T without bezel

Model: PPC1984T-AL with bezel