

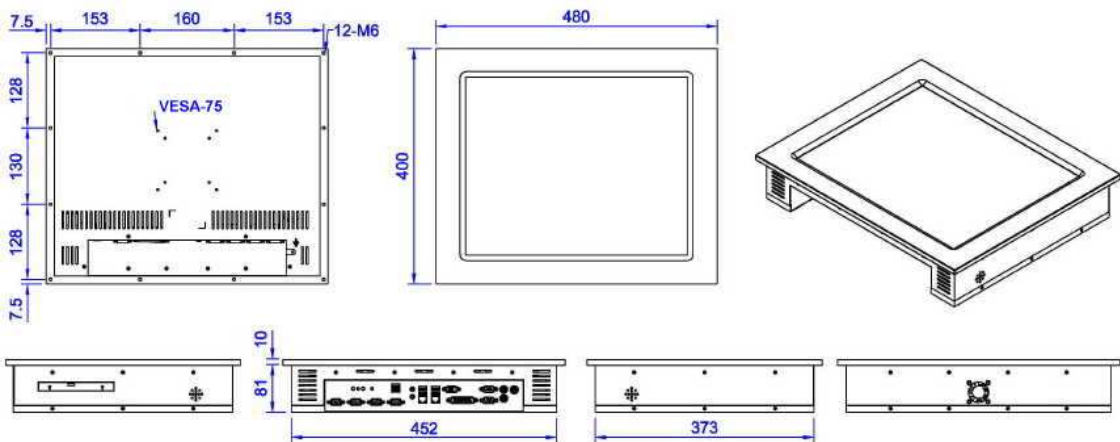
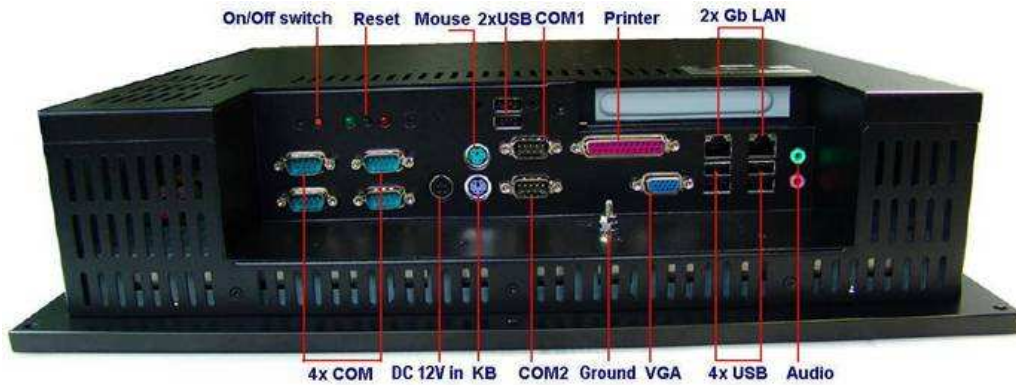
NAGASAKI PPC-1995T-AL-FL

19" 100% Fanless high speed Industrial-military-grade Panel PC, Intel new 65nm Yonah / Merom Core Solo Mobile 1.06G / 1.86G, Core Duo Mobile 2GHz CPU, Toub, 512M-4GB DDR2-667 RAM, 2 Gb LAN, VGA, 8 x USB2.0, 6 x COM, TV-out, CF, PCI slot, CD-RW, 2 x Speakers, PS/2 KB, Mouse, Printer, optional 8 x DIO, optional DVI



- 100% water-proof front
- IP-65,66, 67, 68, NEMA 4,12
- Solid thick Aluminum front bezel
- Intel Fanless C-M 1.06 GHz CPU- Panel-mountable
- DDR2-667MHz RAM up to 4GB
- 2 x Gb LAN, 4x USB, 2x COM
- VESA-75 wall-mounting
- Auto power on after AC power loss
- Dual independent display, etc

>>> Dimensions



Specifications

Industrial grade quality

This is an industrial -military grade mainboard

CPU :

100% Fanless Intel new-generation 65nm / 533 FSB Yonah ULV Core Solo 1.06GHz CPU. (Optional : Mobile 1.6GHz CPU)

Chipset :

Intel 945GME chipset and integrated Intel 950- GM A 3D high speed graphic s engine

LCD Panel

19" TFT LCD , 1280 x 1024 resolution, 300 cd/m2 high bright LCD, 16 .2 million true colors , 50,000 hours backlight

Option :

1000 cd/m2 sunlight-readable LCD display

Aluminum Front bezel and housing

10mm solid thick aluminum front bezel.

Enclosure :

rugged steel construction housing
IP-65, 68, NEMA-4, 4X Water-Resistant Front Panel

Vibration and Shock resistant

Meets MIL-STD-810F military vibration and shock standards.
Extra cost is required if you need a test report or certificate

Panel-mount and Wall-mount :

Meet VESA-75, 100 wall mount standard and Panel mounting standard.

Touch Screen :

5-Wire high impact resistive touch screen, 4096 x 4096 ultra high resolution. Option : a) Capacitive touch screen
b) Vandal-proof touch screen

Memory (system) :

Support ultra high speed DDR-2 / 667 MHz RAM from 512MB, 1GB, 2GB, up to 4GB.

HDD :

Support high speed slim size anti-shock 80G / 160G SATA HDD.

Video chipset :

Intel GMA-950 3D graphics engine supporting high speed 3D graphics acceleration.

Open GL : support OpenGL 1.4

DirectX : support DirectX 9.0

MPEG 2 : supported

Max. Video Memory : 224MB share with system memory

Dual Independent Display:

Support dual independent

Ethernet Network

Support Dual Giga bit LAN at 10 / 100 / 1000 Mbps high speed Ethernet networking.

COM (Serial) ports : total 6 x COM

6 serial ports : 5 x RS232 + 1 x RS232 / 422 / 485

COM 2 : support both RS232 / 422 / 485. (default : RS485)

COM1, 3, 4, 5, 6 : support RS232

USB : 6 x USB 2.0 outside (2 x USB hidden inside)

There are 8 USB 2.0 in total. 4 x USB are located at the accessible I/O plate area. Another 4 x USB are hidden inside for touch interface or future expansion.

Speakers / Audio :

Built in 2 stereo speakers. Support microphone and line-out jack at the I/O port area.

LPT / Parallel Port :

This Printer port support printer interface or reserved for the optional 8 x Digital Input Output ports applications

DIO (Digital Input / Output (option)

Support 8 channel digital input / output.

Support 3 modes : 8 x inputs, 8 x outputs, 4 x In / 4 x Out.

PCI Expansion slot

Support one PCI slot for future expansion purpose.

Compact Flash (CF) slot

Support 1 x CF slot for CF-1 and CF-2 memory cards.

CD-ROM (optional) :

This is an optional slim size CD-ROM

Operating Temperature :

- Support -10 to + 50 degree C (100% Fanless)

- Support -10 to +60 degree C (with Fan)

- Support Auto power on after AC power loss.

- Support remote power on through internet.

- Optional 8-bit Digital Input and Digital output.

Shock and Vibration Test standard

Meet MIL-STD-810F military shock and vibration standards.

Power Adapter :

Input : AC 100-240V ; Output : DC 12V ; 12.5A, 150 Watts

Option : DC-DC power is available for your choice

Wall-mount Kit

Wall-mount kit is available for option Ordering Information

Ordering Information :

PPC-1995T-AL :

With 5-W resistive Touch, solid aluminum bezel,

PPC-1995T :

With 5-W resistive Touch, steel bezel,

PPC-1995T-AL-10N :

With 5-W resistive Touch, solid aluminum bezel,
1000 nits (cd/m2) sunlight-readable display