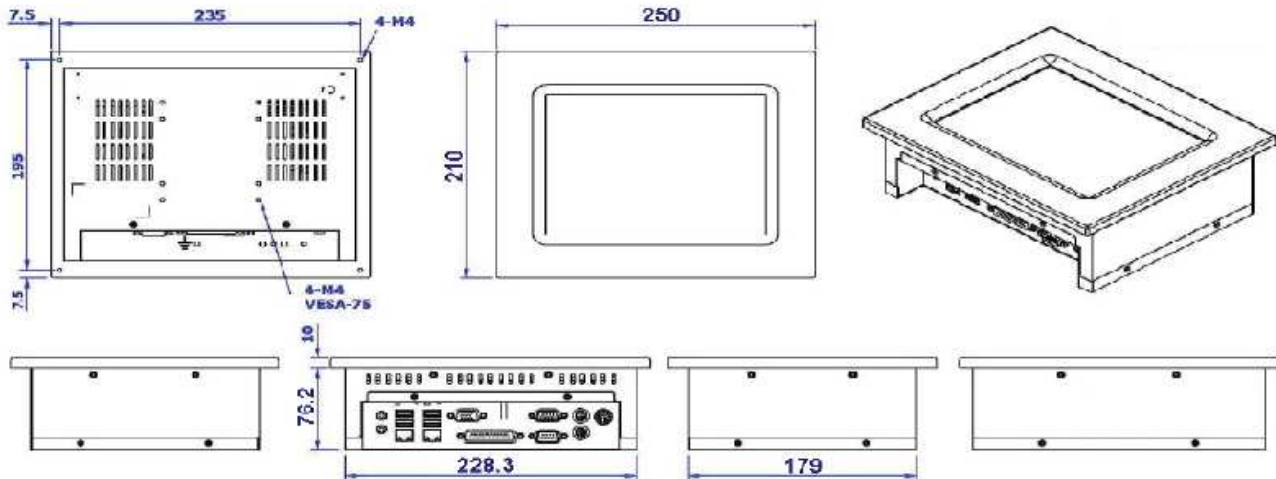


PPC-895T-AL

8" Intel 65nm Yonah Core Duo Mobile 1.6G, 1.86G, 2GHz Touch Panel PC



Panel PC Grade

Panel PC level Industrial and military grade

System

CPU (standard)	Intel 65nm Yonah Mobile high speed 1.6GHz with 1M L2
- Option 1	Intel 65nm Mobile 1.86GHz with 1M L2 cache memory
- Option 2	Intel 65nm Core Duo Mobile 2GHz with 2M L2 cache
Memory (standard)	DDR2-667M high speed 512MB RAM (option : 1G, 2G, 4GB)
HDD (standard)	Slim anti-shock high speed 80G SATA HD (option : 120G, 160G)
SSD (CF or DOM)	CF 1G, 2G, 4G, 8G or DOM 1G, 2G, 4G, 8G Solid State flash Disk
Watchdog Timer	1-255 seconds programmable (enable through BIOS)

LCD Display

Size / Resolution	8" TFT Color LCD, 800 x 600 pixels
Luminance (standard)	250 cd/m ² , long-life LED backlight, 800 x 600, 262,144 colors

Video Function

Dual Independent Display	Support Dual Independent Display with 2 different images
VGA (DVI)	Support second monitor, (DVI is optional)
3D graphics	GMA 950 engine supports 3D / 2D high speed graphics

I/O

Serial (COM) Port	2 x COM (1 x RS-232 + 1 RS232/422/485) (total 6 x COM)
USB 2.0 Port	4 x USB 2.0 accessible at the I/O area (total 8)
LAN	2 ultra high speed Giga bit 10/100/1000 Mbps Ethernet
TV-out	Export image or data to a TV screen
KB / MS / Printer	1 x PS2 K/B, 1 x PS2 Mouse, 1 x Printer port
Expansion slot	1 x PCI slot (optional), 1 x CF socket, 1 x DOM socket
Digital I/O (option)	8 x Digital Inputs, 8 Digital Outputs, or 4 x D.I. plus 4 x D.O.

Storage

HDD (Standard)	Slim anti-shock high speed 80G SATA HDD
- HDD Option	120G, 160G, 250G slim high speed SATA HDD
CD-ROM Drive	CD-ROM, slim size, Japan TEAC made
Flash Disk / DOM	1 x CF Socket, 1 x DOM socket

Touch Screen

Touch Screen Type	Resistive	Capacitive	SAW	S.O.
Resolution	4096 x 4096	4096 x 4096	4096 x 4096	
Light Transmission	80%	90%	93%	
Controller Interface	Serial or USB	Serial or USB	Serial or USB	
Vandal-Proof Touch				

Power Supply

Power (standard)	AC 90 ~ 240V input, DC 12V output at 7.5A, 90 watts
- DC-DC (option)	DC 12-30V input, DC 12V output, 90 watts

IP-65 / NEMA-4 Water Resistant Rating

IP-68 Rating	Meet IP-65, 66, 67, 68, NEMA-4 Ratings at front (alum. bezel)
IP-65 Rating	Meet IP-65, NEMA-4 Ratings at front (steel bezel)
Option	The whole enclosure meets IP-65 available at your request

Mechanical & Environmental

Operating Temp.	0 ~ 60°C
Storage Humidity	5 ~ 95% non-condensing
Vibration	17 to 500Hz, 3G peak to peak
Shock	20G / peak (11m sec)
Construction	Heavy-duty rugged Steel + Aluminum Front Bezel
Wall Mounting	VESA-75 compatible
Panel Mounting	Panel mounting supported

Tests

CE / FCC / RoHS	CE, FCC, RoHS compliant
Safety Test	Meet UL, cUL, ETL safety tests
Industrial / Military Test	Meet Industrial and MIL-STD-461E, 810F, 704D...etc. tests

Ordering Information

PPC-895T-AL	Intel 1.6G CPU, 512M, 80G HD, Touch, aluminum bezel
PPC-895T	Intel 1.6G CPU, 512M, 80G HD, Touch, steel bezel