

8BIR Price List

Order No		Prijs in Euro	
8BIR-DAQ Modules for Standard Dataforth 8B modules			
0100-xxxx	8BIR-DAQ, 2- 4-wire	130	8BIR - Series : Intelligent 1-Channel-DAQ-Module, DIN RAIL mounting device, Plug in adapter for one 8B-Module (with 0...5 V output) for acquisition of Voltage, Current, Temperature, Position, Frequency and Strain Measuring devices (depends on the 8B module), intelligent trigger functions, expandable network up to 250 Channels, Configuration & sampling software for MS-Windows, Accuracy: < 0,2% FS, Dimensions: 70 x 90 x 22,7 mm
0102-xxxx	8BIR-DAQ, 2- 4-wire	140	8BIR - Series : Like 0100-xxxx modules - but for Thermocouple with built in CJC input
8BIR-OUT8B Analog OUT Modules for Standard 8B			
0300-xxxx	8BIR-OUT8B, Voltage & Current	130	8BIR - Series : Intelligent 1-Channel-Analog-Module, DIN RAIL mounting device, Plug in adapter for one isolated 8B-Module analog current or voltage output module (depends on the 8B module), Output signal is programmable, expandable network up to 250 Channels, Configuration & sampling software for MS-Windows, Accuracy: < 0,2% FS, Dimensions: 70 x 90 x 22,7 mm
8BIR-OUT Analog OUT Modules (No 8B required)			
04XX*-xxxx	8BIR-OUT, Voltage & Current	200	8BIR - Series : Intelligent 1-Channel-Analog Out-Module (No 8B required), DIN RAIL mounting device, Output depends on configuration, Intelligent trigger functions, programmable, Isolation 1000V, Arbitrary function, expandable up to 250 Channels, Configuration & sampling software for MS-Windows, Accuracy: < 0,2% FS, dimensions: 70 x 90 x 22,7 mm
8BIR-DIG Digital IN/OUT Modules (No 8B required)			
0600-xxxx	8BIR-DIG, 4 CH Input, 4 CH Output	170	8BIR - Series : Intelligent 8-Channel-DIG I/O-Module, DIN RAIL mounting device, 4 TTL or 24V opto-isolated input and output Channels, programmable, expandable network up to 250 Channels, Configuration & sampling software for MS-Windows, Dimensions: 70 x 90 x 45,4 mm
0601-xxxx	8BIR-DIG, 8 CH Input	170	8BIR - Series : Intelligent 8-Channel-DIG I/O-Module, DIN RAIL mounting device, 8 TTL or 24V opto-isolated Channels inputs, programmable, expandable network up to 250 Channels, Configuration & sampling software for MS-Windows, Dimensions: 70 x 90 x 45,4 mm
0602-xxxx	8BIR-DIG, 8 CH Output	170	8BIR - Series : Intelligent 8-Channel-DIG I/O-Module, DIN RAIL mounting device, 8 TTL or 24V opto-isolated Channels outputs, programmable, expandable network up to 250 Channels, Configuration & sampling software for MS-Windows, Dimensions: 70 x 90 x 45,4 mm
8BIR-DAQ-AIO All in One Modules (no 8B required)			
0210-xxxx	8BIR-DAQ, LOW SIGNAL	150	8BIR - Series : Intelligent 1-Channel-DAQ-Module, DIN RAIL mounting device, Built in 0 ... 100mV low noise amplifier (No 8B required), no isolation, Intelligent trigger functions, expandable up to 250 Channels, Configuration & sampling software for MS-Windows, Accuracy: < 0,2% FS, Dimensions: 70 x 90 x 22,7 mm
0211-xxxx	8BIR-DAQ, Current IN, ± 20mA	170	8BIR - Series : Intelligent 1-Channel-Analog Out-Module (No 8B required), Isolation 600V, DIN RAIL mounting device, Input ±20mA, Intelligent trigger functions, programmable, expandable up to 250 Channels, Configuration & sampling software for MS-Windows, Accuracy: < 0,2% FS, Dimensions: 70 x 90 x 22,7 mm
0212-xxxx	8BIR-DAQ, High Precision Voltage	170	8BIR - Series : Intelligent 1-Channel-DAQ-Module, Isolation 600V, DIN RAIL mounting device for high precision voltage measurement, 0 ... 5V input range, 24 Bit internal resolution of A/D conversion, intelligent trigger functions, expandable network up to 250 Channels, total sampling rate 80 Hz, Configuration & sampling software for MS-Windows, Accuracy: < 0,1% FS, Dimensions: 70 x 90 x 22,7 mm
0213-xxxx	8BIR-DAQ, RTD, 2- 3-wire	170	8BIR - Series : Intelligent 1-Channel-DAQ-Module, Isolation 600V, DIN RAIL mounting device for 2-wire acquisition of 2- or 3-wire RTD, intelligent trigger functions, expandable network up to 250 Channels, sampling rate 80 Hz, Configuration & sampling software for MS-Windows, Accuracy: < 0,1% FS, Dimensions: 70 x 90 x 45,4 mm
0214-xxxx	8BIR-DAQ, Thermocouple, CJC	180	8BIR - Series : Like 0212-xxxx modules - but for Thermocouple (type programmable) with built in CJC input
0215-xxxx	8BIR-DAQ, LOW SIGNAL, CUSTOM	200	8BIR - Series : Like 0210-xxxx modules - but customized voltage input range like (0...50mV, 0 ... 30mV, etc.)

8BIR Price List

Order No		Prijs in Euro	
8BIR-MULTI AIO - All in one Modules (No 8B Modules required)			
0700-xxxx	8BIR-MULTS, 4 CH, RTD, 2- 3-wire	320	8BIR - Series : Intelligent 4-Channel-DAQ-Module, DIN RAIL mounting device for 2-wire acquisition of 2- or 3-wire RTD, Isolation 600V, intelligent trigger functions, expandable network up to 250 Channels, total sampling rate 80 Hz e.g. 20 Hz per channel, Configuration & sampling software for MS-Windows, Accuracy: < 0,1% FS, Dimensions: 70 x 90 x 45,4 mm
0701-xxxx	8BIR-MULTS, 4 CH, Thermocouple, CJC	330	8BIR - Series : Like 0700-xxxx modules - but for Thermocouple (type programmable) with built in CJC input
0702-xxxx	8BIR-MULTS, 4 CH, Voltage	320	8BIR - Series : Intelligent 4-Channel-DAQ-Module, DIN RAIL mounting device for high precision voltage measurement, 0 ... 5V input range, Isolation 600V*, 24 Bit internal resolution of A/D conversion, intelligent trigger functions, expandable network up to 250 Channels, total sampling rate 80 Hz e.g. 20 Hz per channel, Configuration & sampling software for MS-Windows, Accuracy: < 0,1% FS, Dimensions: 70 x 90 x 45,4 mm
0740-xxxx	8BIR-MULTS, 8 CH, RTD, 2- 3-wire	400	8BIR - Series : Intelligent 8-Channel-DAQ-Module, DIN RAIL mounting device for 2-wire acquisition of 2- or 3-wire RTD, Isolation 600V*, intelligent trigger functions, expandable network up to 250 Channels, total sampling rate 80 Hz e.g. 10 Hz per channel, Configuration & sampling software for MS-Windows, Accuracy: < 0,1% FS, Dimensions: 70 x 90 x 45,4 mm
0741-xxxx	8BIR-MULTS, 8 CH, Thermocouple, CJC	450	8BIR - Series : Like 0740-xxxx modules - but for Thermocouple (type programmable) with built in CJC input
0742-xxxx	8BIR-MULTS, 8 CH, Voltage	400	8BIR - Series : Intelligent 8-Channel-DAQ-Module, DIN RAIL mounting device for high precision voltage measurement, 0 ... 5V input range, Isolation 600V*, 24 Bit internal resolution of A/D conversion, intelligent trigger functions, expandable network up to 250 Channels, total sampling rate 80 Hz e.g. 10 Hz per channel, Configuration & sampling software for MS-Windows, Accuracy: < 0,1% FS, Dimensions: 70 x 90 x 45,4 mm
8BIR-MULTI Multi-CH-Modules for 8B Modules			
0800-xxxx	8BIR-MULT, 4 CH, Voltage, 2-wire	270	8BIR - Series : Intelligent 4-Channel-DAQ-Module, DIN RAIL mounting device, Plug in adapter for one 8B-Module (with 0...5 V output) for 2-wire acquisition of Voltage, Current, Position and Frequency Measuring devices (depends on 8B-Module with BW >=1 kHz) with 0...5 V output, intelligent trigger functions, expandable network up to 250 Channels, total sampling rate 200 Hz e.g. 50 Hz per channel, Configuration & sampling software for MS-Windows, Accuracy: < 0,2% FS, Dimensions: 70 x 90 x 45,4 mm
0801-xxxx	8BIR-MULT, 4 CH, Voltage, 4-wire	340	8BIR - Series : Intelligent 4-Channel-DAQ-Module, DIN RAIL mounting device, Plug in adapter for one 8B-Module (with 0...5 V output) for 4-wire acquisition of Voltage (Strain Measuring) devices (depends on 8B-Module with BW >=1 kHz) with 0...5 V output, intelligent trigger functions, expandable network up to 250 Channels, total sampling rate 200 Hz e.g. 50 Hz per channel, Configuration & sampling software for MS-Windows, Accuracy: < 0,2% FS, Dimensions: 70 x 90 x 45,4 mm
0802-xxxx	8BIR-MULT, 4 CH, Temperature, CJC	270	8BIR - Series : Intelligent 4-Channel-DAQ-Module, DIN RAIL mounting device, Plug in adapter for one 8B-Module (with 0...5 V output) for 2-wire acquisition of temperature with built in CJC and Strain Measuring Devices, (with 0...5 V output) for acquisition of temperature signals, intelligent trigger functions, expandable up to 250 Channels, total sampling rate 200 Hz e.g. 50 Hz per channel, configuration & sampling software for MS-Windows, Accuracy: < 0,2% FS, Dimensions: 70 x 90 x 45,4 mm
0804-xxxx	8BIR-MULT, 8 CH, Voltage, 2-wire	330	8BIR - Series : Intelligent 8-Channel-DAQ-Module, DIN RAIL mounting device, Plug in adapter for one 8B-Module (with 0...5 V output) for 2-wire acquisition of Voltage, Current, Position and Frequency Measuring devices (depends on 8B-Module with BW >=1 kHz) with 0...5 V output, intelligent trigger functions, expandable network up to 250 Channels, total sampling rate 200 Hz e.g. 25 Hz per channel, Configuration & sampling software for MS-Windows, Accuracy: < 0,2% FS, Dimensions: 70 x 90 x 45,4 mm
0805-xxxx	8BIR-MULT, 8 CH, Voltage, 4-wire	400	8BIR - Series : Intelligent 8-Channel-DAQ-Module, DIN RAIL mounting device, Plug in adapter for one 8B-Module (with 0...5 V output) for 4-wire acquisition of Voltage (Strain Measuring) devices (depends on 8B-Module with BW >=1 kHz) with 0...5 V output, intelligent trigger functions, expandable network up to 250 Channels, total sampling rate 200 Hz e.g. 25 Hz per channel, Configuration & sampling software for MS-Windows, Accuracy: < 0,2% FS, Dimensions: 70 x 90 x 45,4 mm
0806-xxxx	8BIR-MULT, 8 CH, Temperature, CJC	340	8BIR - Series : Intelligent 8-Channel-DAQ-Module, DIN RAIL mounting device, Plug in adapter for one 8B-Module (with 0...5 V output) for 2-wire acquisition of temperature with built in CJC and Strain Measuring Devices, (with 0...5 V output with BW >=1 kHz) for acquisition of temperature signals, intelligent trigger functions, expandable up to 250 Channels, total sampling rate 200 Hz e.g. 25 Hz per channel, configuration & sampling software for MS-Windows, Accuracy: < 0,2% FS, Dimensions: 70 x 90 x 45,4 mm
8BIR-COM Communication Modules			
0900-xxxx	8BIR-COM, USB - RS232	140	8BIR - Series: USB-Module 2.0 - Transparent Protocol, transfer rate up to 1 MBit/s (depends on protocol type), Interfaces RS232 or USB selectable by JUMPER, Dimensions: 70 x 90 x 22,7 mm
0901-xxxx	8BIR-COM, RS485	140	8BIR - Series: RS422/485-Module - Transparent Protocol Configuration via RS422/485 - Interface, transfer rate up to 1 MBit/s (depends on protocol type), Dimensions: 70 x 90 x 22,7 mm
0902-xxxx	8BIR-COM, Ethernet TCP/IP, MODBus	310	8BIR - Series: Ethernet-Module 10/100 MBit/s, TCP/IP Protocol Configuration via Ethernet or USB Interface, transfer rate up to 1 MBit/s (depends on protocol type), Dimensions: 70 x 90 x 45 mm
0903-xxxx	8BIR-COM, Bluetooth	310	8BIR - Series: Communication Module - Bluetooth - configuration via USB - Interface, transfer rate up to 1MBit/s (depends on wireless communication features), Dimensions: 70 x 90 x 45 mm
0904-xxxx	8BIR-COM, WiFi	380	8BIR - Series: Communication Module - WiFi - configuration via selected - Interface, transfer rate up to 1MBit/s (depends on wireless communication features), Remote configuration via TELNET, Dimensions: 70 x 90 x 45 mm
0905-xxxx	8BIR-COM, ZigBee	310	8BIR - Series: Communication Module - ZigBee - configuration via USB - Interface, transfer rate up to 1MBit/s (depends on radio communication features), Dimensions: 70 x 90 x 45 mm
0906-xxxx	8BIR-COM, GSM	380	8BIR - Series: Communication Module - GSM - configuration via USB - Interface, transfer rate up to GSM max. (depends on protocol type), Dimensions: 70 x 90 x 45 mm
0907-xxxx	8BIR-COM, Profibus DP	310	8BIR - Series: Communication Module - Profibus DP - configuration via USB - Interface, transfer rate 9600 Bit/s ... 12 MBit/s, Supported Protocols : DP, DP-V1, DP-V2 (DxB + IsoM), Fully integrated slave, Dimensions: 70 x 90 x 45 mm

8BIR Price List

Order No		Prijs in Euro	
8BIR-CFC CF-Card Modules			
2000-xxxx	8BIR-CFC, CF-Card	310	8BIR - Series: CF-Card Module, USB-Module 2.0 - Saves data to MMC or SD Card in FAT16 format, 8BIR COM module required for data acquisition, Dimensions: 70 x 90 x 45,4 mm
2001-xxxx	8BIR-CFC, CF-Card - COM Bundle	420	8BIR - Series: CF-Card Module with COM-USB-Module - Saves data to MMC or SD Card in FAT16 format, Read out of stored data via COM module during data acquisition, Dimensions: 70 x 90 x 45,4 mm
2010-xxxx	8BIR-CFC, CF-Card with 8BIR	440	8BIR - Series: CF-Card Module with integrated 8BIR module (0100-xxxx) in one housing together with CF-Card module, Sampled data is automatically stored on CF Card, Works as stand alone system, USB-Module 2.0 interface for configuration and data export, Dimensions: 70 x 90 x 45,4 mm
8BIR-ONLY			
2100-xxxx	8BIR-ONLY	50	8BIR - Series: 8BIR module for one 8B module, DIN RAIL mounting device, 1:1 connections for all 8B modules, No further functionality, Dimensions: 70 x 90 x 22,7 mm
2101-xxxx	8BIR-ONLY, CJC	60	8BIR - Series: 8BIR module for one 8B module, DIN RAIL mounting device, 1:1 connections for all 8B modules, CJC, No further functionality, Dimensions: 70 x 90 x 22,7 mm
8BIR-SPM Smart Power Modules			
5000-xxxx	8BIR-SPM, USB	120	8BIR - Series: Smart Power Module, USB Diagnose Interface, Supply voltage 7...30V, Output : 5V/2A, Dimensions: 70 x 90 x 45,4 mm
5001-xxxx	Daisy Chain module	140	8BIR - Series: Intelligent Daisy Chain module to connect power supply to a row of 8BIR modules. Short circuit proof and automated recovery after short cut once was detected. External press & toggle key to switch power & data lines on/off. Also used for multi DIN rail rows for inter-connections of the T-BUS signals. Dimensions: 70 x 90 x 22,7 mm
8BIR-WIN			
6000-xxxx	8BI-WIN Software, START	●	8BI Windows software package for configuration, test & sampling, Download Version
6001-xxxx	8BI-WIN Software, START	20	8BI Windows software package for configuration, test & sampling, CD-ROM Version
8BIR-ACC			
9000-xxxx	T-BUS Screw Terminal	20	Screw Terminal adapter for direct T-BUS connections
9001-xxxx	Ethernet cable, 1m	40	Ethernet Cable, CAT5
9002-xxxx	Serial Cable	30	Serial cable from screw terminals to D-SUB 9 pol.
9003-xxxx	USB Cable	30	USB cable - USB Mini <--> USB STD
9004-xxxx	T-BUS Connector	6	Bus Connector 8BIR <--> T-BUS
9005-xxxx	Power Connector Module	45	8BIR DIN rail housing for connecting power supply through screw terminals. Also used for multi DIN rail rows for inter-connections of the T-BUS signals. Dimensions: 70 x 90 x 22,7 mm
8BIR CUST Custom Modules			
9700-xxxx	Customized modules		See full list of available custom modules provided by b.e.s.t. GmbH
8BIR DAQ Protocol Options			
A	STD	●	Standard Propriarity Protocol
B	ModBus	---	ASCII / RTD Modbus Protocol for 8BIR-STD modules
C	Ethernet TCP/IP	---	Standard Propriarity Protocol on TCP/IP
8BIR INT Interface Options			
A	RS232	●	Standard RS232 Interface
B	RS485HD	●	Standard RS485 Interface, Half-Duplex
C	RS485FD	●	Standard RS485 Interface, Full-Duplex
D	USB	10	USB 2.0 Interface
E	CANBus	---	CANBus 2.0 Interface
8BIR SPV Supply Voltage & Operating Options			
A	5V	●	5V Supply Voltage
B	5V, DIG24	10	5V Supply Voltage , Digital IN/OUT lines work acc. Industrial standard (EN61131-2 - Type 3) instead of TTL. Logic LOW : 0 ... 5V - Logic HIGH : 11 ... 30V
C	7...30V	20	7...30V Supply Voltage
D	7...30V, DIG24	30	7...30V Supply Voltage, Digital IN/OUT lines work acc. Industrial standard (EN61131-2 - Type 3) instead of TTL. Logic LOW : 0 ... 5V - Logic HIGH : 11 ... 30V

8BIR Price List

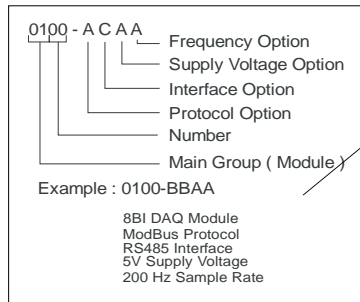
Order No	Prijs in Euro
8BIR SRO Sample Rate Option	
A	200 Hz • 200 Hz Sample rate (STD) per module (e. g. 4 ch MULT --> 50 Hz per ch)
B	4 kHz --- 4 kHz Sample rate per module (e. g. 4 ch MULT --> 1 kHz per ch) - not available yet -
C	200 Hz 40 200 Hz Sample rate for AIO modules per module (e. g. 4 ch MULT --> 50 Hz per ch)

Order information :

Please check manual for further technical information.
 Pricing for options will be added to the selected module. Options marked with price '---' are not available yet. Standard features are marked with '•'.
 Dataforth 8B modules are not included and have to be ordered separately where mentioned.
 Order number must contain 8 digits including options. If option for individual module is not applicable you may fill in 'X'.
 All 8BIR modules come with necessary T-BUS connectors. Wireless options may cause additional costs.
 Interface options are available for 8BIR-DAQ modules : USB, RS232, RS485
 Windows software package (1100-xxxx) comes free of charge for all 8BIR modules. Further software packages will follow.
 Please refer to user manual and/or factory for possible configurations and technical features of offered modules.
 Customized versions of existing or non-existing modules are available on special request and pricing.
 600V Isolation* - Multi 8BIR are isolated up to 600V between Supply Voltage <--> Voltage input. CH <--> CH isolation is < 36V and working like differential inputs.

Ordering Information :

*Order information for 8BIR-OUT



OUTPUT	
0401-xxxx	0...10V
0402-xxxx	0...5V
0403-xxxx	0...20mA
0404-xxxx	4...20mA
0405-xxxx	±20mA

For 8BIR-OUT the options for the output figures are coded with the number of the ordering information where the output is defined by the 2 digits

For example : The 8BIR-OUT has main group '04' and you want to order an Analog OUT module with 0...10V output, STD protocol, 5V, RS232 & 200Hz

Example : 0401-AAAA --> Analog OUT module with 0...10V output

Important Note :

All serial communications are Hardware related. For standard applications a Desktop PC with 1.7 GHz and proper Graphics adapter is recommended for fast data display and sampling. Please check with user manual for further information.

Ten gevolge van koerswijzigingen kan op elk moment de prijslijst worden aangepast.
 Op elke opdracht zijn de Algemene voorwaarden voor levering van Delmation B.V. als gedeponeerd bij de Kamer van Koophandel te Gouda van toepassing.
 Alle prijzen zijn per stuk aangegeven in Euro's, exclusief BTW.

Delmation Products BV Tel: 079-3422041
 Wattstraat 28-m Fax: 079-3424461
 2723RC Zoetermeer info@delmation.nl www.delmation.nl